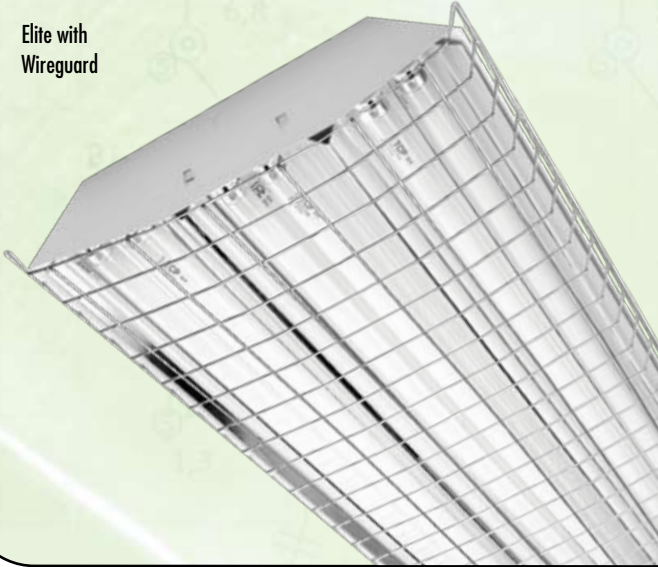


Steel Hinge Clamps for Industrial Wireguards

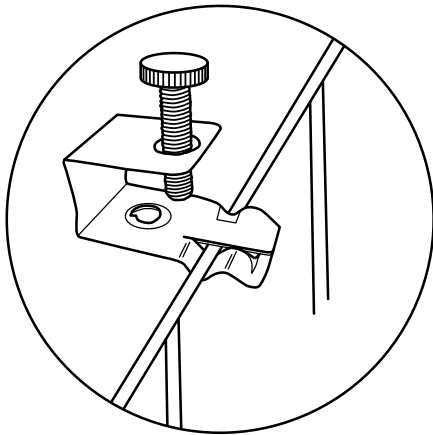
TCP strongly recommends 8 clips per wireguard to ensure proper performance.

Steel Hinge Clamps

Elite with Wireguard



Power Cage with Wireguard



Mounting Instructions:

1. Position wire guard as shown and snap 8 hinge clamps on a guard.
2. Insert screw as indicated.

