

|                |      |
|----------------|------|
| Catalog Number |      |
| Notes          | Type |

**Application**

The Hooded Industrial Strip is designed for surface or suspended mounting. The fixture is ideal for medium illumination levels and suitable for general task lighting. Suggested use for mounting heights up to 16' requiring low to medium light levels. Ideal for light-duty task lighting, aisles, warehousing, storage and retail.

**Description**

The full body assembly accommodates multiple optics utilizing either T5 or T8 lamps. The Hooded Industrial Strip's heavy duty 20 gauge housing exceeds code gauge steel and all components are post painted with a glossy, high reflectance white paint. Sockets include secure positioning rotating collars.

**Reflector Optics**

The Hooded Industrial Strip superior beam spread optic covers from narrow aisle lighting to open area general lighting. The fixture comes with a 92% reflectance hooded reflector.

**Electrical**

All ballasts are class P rated and UL/CUL listed. Our ballasts are also thermally protected, sound rated and tightly secured by mounting bolts.

**Finish**

The baked white enamel finish is electrostatically applied and post painted with a glossy, highly reflective and durable white paint.

**Hooded Industrial Strip T5 and T8 Series**

**Maintenance**

No tools required for lamp and ballast access.

**Installation**

Suspension by chain, cable, hook or monopoint with appropriate accessories

**Warranty**

One year warranty against defect in manufacturing.

**Listing**

UL/CUL Listed - Suitable for damp locations.

**Catalog Ordering Matrix**

| Series                    | Lamp Quantity | Lamp Type       | Voltage         | Ballast Factor  | Specific Ballast   | Options     |
|---------------------------|---------------|-----------------|-----------------|---|--|-------------|
| IS4 - 4' Industrial Strip | 1             | 28 - (T8 28W)   | UNI - (120-277) | H - (T8 High)   | Leave Blank - (TCP)  | (See Below) |
| IS8 - 8' Industrial Strip | 2             | 32 - (T8 32W)   | 347             | N - (T8 Normal)   | GE - (GE)  |             |
|                           | *4            | 54 - (T5HO 54W) | 480             | L - (T8 Low)<br>V - (T5HO)<br>HPRS - (T8 H Program Rapid Start) | ADV - (Advance)<br>ULT - (Universal)<br>SYL - (Sylvania)<br>Must provide ballast part number on order for specific ballast |             |

**OPTIONS**

**Power Cords**

- 2P - 120V, 15A, 8' Power cord w/ straight blade plug
- 3P - 120V, 15A, 8' Power cord w/ twist lock plug
- 4T - 120V, 20A, 10' Power cord w/ twist lock plug
- 11P - 208V, 15A, 8' Power cord w/ straight blade plug
- 9T - 208V, 20A, 8' Power cord w/ twist lock plug
- 8P - 277V, 20A, 8' Power cord w/ straight blade plug
- 10P - 277V, 20A, 15' Power cord w/ straight blade plug
- 10T - 277V, 15A, 10' Power cord w/ twist lock plug
- 10T2 - 277V, 20A, 10' Power cord w/ twist lock plug
- 6C - 120V-300V rated 6' Power cord only. No plug
- 10C - 120V-300V rated 10' Power cord only. No plug
- 10C6 - 120V-600V rated 10' Power cord only. No plug
- 20C - 120V-300V rated 20' Power cord only. No plug
- 6W - 600V rated 6' flexible metal conduit fixture whip
- 6C4 - 120V-300V 6' Power cord only, 4 wire. No plug
- 20C4 - 120V-300V 20' Power cord only, 4 wire. No plug
- 8T - 480V, 20A, 8' Power cord w/ L8-20 twist lock plug

**Occupancy Sensors**

- TS1 - TCP Occupancy sensor w/bracket and interchangeable lenses, 120V, 277V, or 347V
- TS1C - TCP Cold Storage Occupancy Sensor w/bracket and interchangeable lenses, 120V, 277V, and 347V
- TS4 - TCP Occupancy Sensor w/bracket and interchangeable lenses, 480V
- TS4C - TCP Cold Storage Occupancy Sensor w/bracket and interchangeable lenses, 480V
- OS6 - Occupancy sensor w/ bracket for 15'+ mounting hgt.
- OS9 - Occupancy sensor w/ bracket for 15' mounting hgt.

Use a program rapid start ballast with occupancy sensor. EcoVations is not responsible for lamps failing prematurely due to an occupancy sensor being used with an instant start ballast.

**Emergency Ballasts**

- 20B1 - TCP 450 LMS 90 min (T8)
- 20B6 - TCP 700 LMS 90 min (T8)
- 20B5 - TCP 1400 LMS 90 min (T8)
- 20B3 - TCP 3000 LMS 90 min (T8 or T5)
- 20BL5 - TCP 800 LMS 90 min (T5)
- 20BL6 - TCP 1350 LMS 90 min (T5)
- B1 - 400 LMS 90 min (T8)
- B7 - 550 LMS 120 min (T8)
- B9 - 550 LMS 90 min (T8)
- B6 - 650 LMS 90 min (T8)
- B5 - 1350 LMS 90 min (T8)
- B3 - 3000 LMS 90 min (T8 or T5)
- BL5 - 700 LMS 90 min (T5)
- BL6 - 1250 LMS 90 min (T5)

**Emergency Ballast Notes:**

Orders with an emergency ballast must include a note on the order indicating the number of lamps to be operated, which lamp(s) will be operated by the emergency ballast (i.e. 3rd lamp), and what voltage is to be used (i.e. 120V). See Emergency Ballast Spec Sheets for details.

† If a desired lamp and/or ballast is needed in an EcoVations linear fluorescent fixture, please provide a spec sheet when consulting with your local sales rep. The sales rep will provide a price to use the desired lamp and/or ballast.

**Lamps Installed in Job Pack**

- 730 - T8 Lamps Only
- 735 - T8 Lamps Only
- 741 - T8 Lamps Only
- 830 - T5 and T8 Lamps
- 835 - T5 and T8 Lamps
- 841 - T5 and T8 Lamps
- 850 - T5 and T8 Lamps
- 865 - T5 and T8 Lamps
- 830HL - T8 Lamps Only
- 835HL - T8 Lamps Only
- 841HL - T8 Lamps Only
- 850HL - T8 Lamps Only
- 865HL - T8 Lamps Only

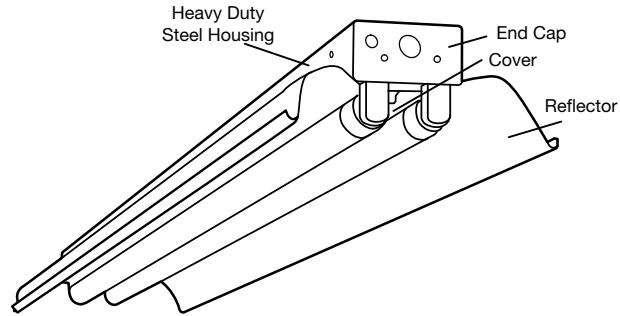
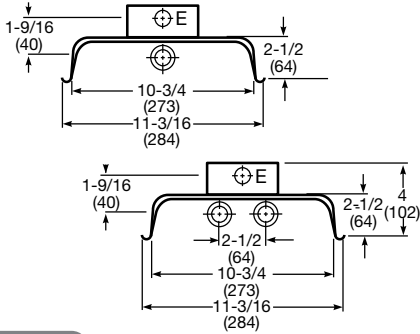
**Special Mounting**

- EZHANGER - 15' adjustable aircraft cable hanging kit
- HCB - Hub Connector Box - 3/4" Threaded Hub Mount
- 12Pendantkit - Mounting kit for 1/2" pendants
- 34Pendantkit - Mounting kit for 3/4" pendants
- LHKIT - Single Point Hook Mounting Kit complete

\* 4 Lamp available in IS8 Housing Only.

FBO - EcoVations will install supplied modular wire cords

Dimensions & Construction



Photometric Report

**48" Industrial Strip, 1x54 watt** EcoVations Industrial Strip Luminaire with 1x54w lamp, lumen rating 4450 LMS, and one SYLVANIA QTP2X54T5HO electronic ballast operating AT 120 VAC and 60 watts

**Photometric Report**

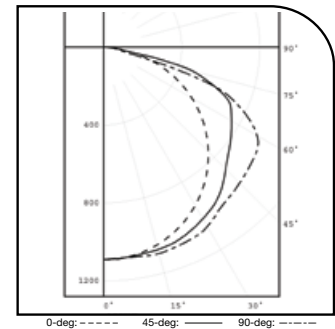
Efficiency (total) 89.9  
 Spacing Criterion (0-Deg) 1.3  
 Spacing Criterion (90-Deg) 1.4

**Average Luminance** (Candelas / Square Meter)

| Angle | 0    | 45.0 | 90   |
|-------|------|------|------|
| 45    | 3171 | 3693 | 4119 |
| 55    | 3126 | 4105 | 4903 |
| 65    | 3020 | 5019 | 5571 |
| 75    | 2739 | 5387 | 2431 |
| 85    | 1525 | 1898 | 1254 |

**Zonal Lumen Summary**

| Zone   | Lumens | Lamp % | Fixture % |
|--------|--------|--------|-----------|
| 0-30   | 888    | 19.9   | 22.2      |
| 0-40   | 1497   | 33.6   | 37.4      |
| 0-60   | 2893   | 65.0   | 72.3      |
| 0-90   | 3993   | 89.7   | 99.8      |
| 90-180 | 9      | 0.2    | 0.2       |
| 0-180  | 4002   | 89.9   | 100.0     |



**Coefficient of Utilization Table** Effective Floor Cavity Reflectance = 20%

| Pcc...<br>Pw...<br>RCR | 80   |      |      |      | 70   |      |      |      | 50   |      |      |      | 30   |      |      |      | 10   |      |      |      | 0    |      |      |      |      |      |      |      |
|------------------------|------|------|------|------|------|------|------|------|------|------|------|------|------|------|------|------|------|------|------|------|------|------|------|------|------|------|------|------|
|                        | 70   | 50   | 30   | 10   | 70   | 50   | 30   | 10   | 50   | 30   | 10   | 50   | 30   | 10   | 30   | 10   | 50   | 30   | 10   | 10   | 30   | 10   | 0    | 0    | 0    | 0    | 0    | 0    |
| 0                      | 1.07 | 1.07 | 1.07 | 1.07 | 1.05 | 1.05 | 1.05 | 1.05 | 1.00 | 1.00 | 1.00 | 0.96 | 0.96 | 0.96 | 0.92 | 0.92 | 0.92 | 0.88 | 0.88 | 0.88 | 0.84 | 0.84 | 0.84 | 0.80 | 0.80 | 0.80 | 0.76 | 0.76 |
| 1                      | 0.97 | 0.92 | 0.88 | 0.84 | 0.94 | 0.90 | 0.86 | 0.83 | 0.86 | 0.83 | 0.80 | 0.83 | 0.80 | 0.78 | 0.79 | 0.77 | 0.75 | 0.75 | 0.73 | 0.71 | 0.71 | 0.69 | 0.67 | 0.67 | 0.65 | 0.63 | 0.61 | 0.59 |
| 2                      | 0.87 | 0.79 | 0.72 | 0.67 | 0.85 | 0.77 | 0.71 | 0.66 | 0.74 | 0.69 | 0.64 | 0.71 | 0.67 | 0.63 | 0.68 | 0.65 | 0.61 | 0.65 | 0.62 | 0.59 | 0.62 | 0.59 | 0.56 | 0.55 | 0.51 | 0.49 | 0.49 | 0.47 |
| 3                      | 0.79 | 0.69 | 0.61 | 0.54 | 0.76 | 0.67 | 0.60 | 0.54 | 0.64 | 0.58 | 0.53 | 0.62 | 0.56 | 0.52 | 0.59 | 0.55 | 0.51 | 0.57 | 0.53 | 0.49 | 0.54 | 0.51 | 0.48 | 0.47 | 0.43 | 0.41 | 0.41 | 0.39 |
| 4                      | 0.72 | 0.60 | 0.52 | 0.45 | 0.69 | 0.59 | 0.51 | 0.45 | 0.56 | 0.50 | 0.44 | 0.54 | 0.48 | 0.43 | 0.52 | 0.47 | 0.43 | 0.50 | 0.46 | 0.42 | 0.47 | 0.43 | 0.40 | 0.39 | 0.35 | 0.33 | 0.33 | 0.30 |
| 5                      | 0.66 | 0.53 | 0.45 | 0.38 | 0.64 | 0.52 | 0.44 | 0.38 | 0.50 | 0.43 | 0.37 | 0.48 | 0.42 | 0.37 | 0.47 | 0.41 | 0.37 | 0.45 | 0.41 | 0.37 | 0.43 | 0.39 | 0.36 | 0.35 | 0.31 | 0.29 | 0.29 | 0.26 |
| 6                      | 0.60 | 0.48 | 0.39 | 0.33 | 0.58 | 0.47 | 0.39 | 0.33 | 0.45 | 0.38 | 0.32 | 0.43 | 0.37 | 0.32 | 0.42 | 0.36 | 0.32 | 0.40 | 0.36 | 0.32 | 0.38 | 0.34 | 0.31 | 0.30 | 0.26 | 0.24 | 0.24 | 0.21 |
| 7                      | 0.56 | 0.43 | 0.34 | 0.29 | 0.54 | 0.42 | 0.34 | 0.29 | 0.41 | 0.33 | 0.28 | 0.39 | 0.33 | 0.28 | 0.38 | 0.32 | 0.28 | 0.36 | 0.32 | 0.28 | 0.34 | 0.30 | 0.27 | 0.26 | 0.22 | 0.20 | 0.20 | 0.17 |
| 8                      | 0.52 | 0.39 | 0.31 | 0.25 | 0.50 | 0.38 | 0.31 | 0.25 | 0.37 | 0.30 | 0.25 | 0.36 | 0.29 | 0.25 | 0.35 | 0.29 | 0.25 | 0.33 | 0.29 | 0.25 | 0.31 | 0.27 | 0.24 | 0.23 | 0.19 | 0.17 | 0.17 | 0.14 |
| 9                      | 0.48 | 0.36 | 0.28 | 0.23 | 0.47 | 0.35 | 0.28 | 0.23 | 0.34 | 0.27 | 0.22 | 0.33 | 0.27 | 0.22 | 0.32 | 0.26 | 0.22 | 0.30 | 0.26 | 0.22 | 0.28 | 0.24 | 0.21 | 0.20 | 0.16 | 0.14 | 0.14 | 0.11 |
| 10                     | 0.45 | 0.33 | 0.25 | 0.20 | 0.44 | 0.32 | 0.25 | 0.20 | 0.31 | 0.25 | 0.20 | 0.30 | 0.24 | 0.20 | 0.30 | 0.24 | 0.20 | 0.28 | 0.24 | 0.20 | 0.26 | 0.22 | 0.19 | 0.18 | 0.14 | 0.12 | 0.12 | 0.09 |

Photometric Report

**48" Industrial Strip, 2x54 watt** EcoVations Industrial Strip Luminaire with 2x54w lamp, lumen rating 4450 LMS, and one SYLVANIA QTP2X54T5HO electronic ballast operating AT 120 VAC and 115.8 watts

**Photometric Report**

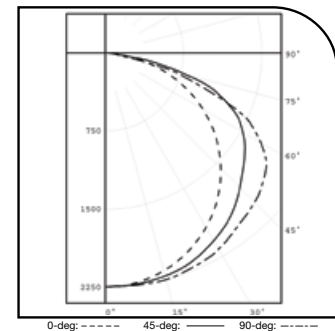
Efficiency (total) 90.5  
 Spacing Criterion (0-Deg) 1.3  
 Spacing Criterion (90-Deg) 1.4

**Average Luminance** (Candelas / Square Meter)

| Angle | 0    | 45.0 | 90    |
|-------|------|------|-------|
| 45    | 6546 | 7624 | 8460  |
| 55    | 6463 | 8415 | 9713  |
| 65    | 6249 | 9646 | 10485 |
| 75    | 5661 | 9028 | 7601  |
| 85    | 3355 | 3186 | 2271  |

**Zonal Lumen Summary**

| Zone   | Lumens | Lamp % | Fixture % |
|--------|--------|--------|-----------|
| 0-30   | 1823   | 20.5   | 22.6      |
| 0-40   | 3075   | 34.5   | 38.2      |
| 0-60   | 5920   | 66.5   | 73.5      |
| 0-90   | 8041   | 90.3   | 99.9      |
| 90-180 | 11     | 0.1    | 0.1       |
| 0-180  | 8052   | 90.5   | 100.0     |



**Coefficient of Utilization Table** Effective Floor Cavity Reflectance = 20%

| Pcc...<br>Pw...<br>RCR | 80   |      |      |      | 70   |      |      |      | 50   |      |      |      | 30   |      |      |      | 10   |      |      |      | 0    |      |      |      |      |      |      |      |
|------------------------|------|------|------|------|------|------|------|------|------|------|------|------|------|------|------|------|------|------|------|------|------|------|------|------|------|------|------|------|
|                        | 70   | 50   | 30   | 10   | 70   | 50   | 30   | 10   | 50   | 30   | 10   | 30   | 10   | 50   | 30   | 10   | 10   | 30   | 10   | 0    | 0    | 0    | 0    | 0    | 0    | 0    | 0    | 0    |
| 0                      | 1.08 | 1.08 | 1.08 | 1.08 | 1.05 | 1.05 | 1.05 | 1.05 | 1.00 | 1.00 | 1.00 | 0.96 | 0.96 | 0.96 | 0.92 | 0.92 | 0.92 | 0.88 | 0.88 | 0.88 | 0.84 | 0.84 | 0.84 | 0.80 | 0.80 | 0.80 | 0.76 | 0.76 |
| 1                      | 0.98 | 0.93 | 0.89 | 0.85 | 0.95 | 0.91 | 0.87 | 0.84 | 0.87 | 0.84 | 0.81 | 0.83 | 0.81 | 0.78 | 0.80 | 0.78 | 0.76 | 0.77 | 0.75 | 0.73 | 0.73 | 0.71 | 0.69 | 0.71 | 0.69 | 0.67 | 0.67 | 0.65 |
| 2                      | 0.88 | 0.80 | 0.73 | 0.68 | 0.86 | 0.78 | 0.72 | 0.67 | 0.75 | 0.70 | 0.65 | 0.72 | 0.68 | 0.64 | 0.69 | 0.65 | 0.62 | 0.66 | 0.62 | 0.59 | 0.63 | 0.59 | 0.56 | 0.61 | 0.57 | 0.54 | 0.54 | 0.51 |
| 3                      | 0.80 | 0.69 | 0.61 | 0.55 | 0.77 | 0.68 | 0.61 | 0.55 | 0.65 | 0.59 | 0.54 | 0.63 | 0.57 | 0.53 | 0.60 | 0.56 | 0.52 | 0.57 | 0.53 | 0.49 | 0.54 | 0.50 | 0.47 | 0.51 | 0.47 | 0.44 | 0.44 | 0.41 |
| 4                      | 0.72 | 0.61 | 0.52 | 0.46 | 0.70 | 0.60 | 0.52 | 0.46 | 0.57 | 0.50 | 0.45 | 0.55 | 0.49 | 0.44 | 0.53 | 0.48 | 0.44 | 0.50 | 0.46 | 0.42 | 0.47 | 0.43 | 0.40 | 0.45 | 0.41 | 0.38 | 0.38 | 0.35 |
| 5                      | 0.66 | 0.54 | 0.45 | 0.39 | 0.64 | 0.53 | 0.45 | 0.39 | 0.51 | 0.44 | 0.38 | 0.49 | 0.43 | 0.38 | 0.47 | 0.42 | 0.37 | 0.45 | 0.41 | 0.37 | 0.43 | 0.39 | 0.36 | 0.41 | 0.37 | 0.34 | 0.34 | 0.31 |
| 6                      | 0.61 | 0.48 | 0.40 | 0.34 | 0.59 | 0.47 | 0.39 | 0.33 | 0.46 | 0.38 | 0.33 | 0.44 | 0.38 | 0.33 | 0.43 | 0.37 | 0.32 | 0.41 | 0.37 | 0.33 | 0.40 | 0.36 | 0.32 | 0.39 | 0.35 | 0.32 | 0.32 | 0.29 |
| 7                      | 0.56 | 0.43 | 0.35 | 0.29 | 0.55 | 0.43 | 0.35 | 0.29 | 0.41 | 0.34 | 0.29 | 0.40 | 0.33 | 0.29 | 0.39 | 0.33 | 0.28 | 0.38 | 0.33 | 0.29 | 0.37 | 0.32 | 0.28 | 0.36 | 0.31 | 0.27 | 0.27 | 0.24 |
| 8                      | 0.52 | 0.39 | 0.31 | 0.26 | 0.51 | 0.39 | 0.31 | 0.26 | 0.38 | 0.31 | 0.25 | 0.36 | 0.30 | 0.25 | 0.35 | 0.30 | 0.25 | 0.34 | 0.29 | 0.25 | 0.33 | 0.28 | 0.24 | 0.32 | 0.27 | 0.23 | 0.23 | 0.20 |
| 9                      | 0.49 | 0.36 | 0.28 | 0.23 | 0.47 | 0.36 | 0.28 | 0.23 | 0.34 | 0.28 | 0.23 | 0.33 | 0.27 | 0.23 | 0.32 | 0.27 | 0.23 | 0.31 | 0.26 | 0.22 | 0.30 | 0.25 | 0.21 | 0.29 | 0.24 | 0.20 | 0.20 | 0.17 |
| 10                     | 0.46 | 0.33 | 0.26 | 0.21 | 0.44 | 0.33 | 0.26 | 0.21 | 0.32 | 0.25 | 0.21 | 0.31 | 0.25 | 0.21 | 0.30 | 0.24 | 0.20 | 0.29 | 0.24 | 0.20 | 0.28 | 0.23 | 0.19 | 0.27 | 0.22 | 0.18 | 0.18 | 0.15 |