

Catalog Number	
Notes	Type

**Application**

The Power Bay's superior lumen package is ideal for replacing traditional metal halide high bay systems. Benefits include high efficiency, 95% lumen maintenance, improved color rendering, extended lamp life, multi-level switching, instant on, dimming and improved uniformity. Suggested mounting heights from 15' - 40' with primary applications including "Big Box" retail, warehousing, commercial facilities, manufacturing facilities, open and stack aisle applications.

**Description**

The fixture was designed for optimum performance utilizing either T5 or T8 lamps. The Performance Bay's heavy duty 20 gauge housing exceeds code gauge steel and all components are post painted with a glossy, high reflectance white paint. Sockets include secure positioning rotating collars.

**Reflector Optics**

The superior beam spread optic covers from narrow aisle lighting to open area general lighting. The Performance Bay is available using a 95% reflectance specular aluminum (SA) Miro®4 or a 92% reflectance white aluminum (WA) reflector, which have a 25 year warranty.

**Electrical**

All ballasts are class P rated and UL/CUL listed. Our ballasts are also thermally protected, sound rated and tightly secured by mounting bolts.

**Finish**

The baked white enamel finish is electrostatically applied and post painted with a glossy, highly reflective and durable white paint.

**Power Bay Fluorescent High Bay T5 and T8 Series**

**Maintenance**

No tools required for lamp and ballast access.

**Installation**

Suspension by chain, cable, hook or monopoint with appropriate accessories.

**Warranty**

One year warranty against defect in manufacturing.

**Listing**

UL/CUL Listed - Suitable for damp locations.

**Catalog Ordering Matrix**

Family	Reflector Distribution	Lamp Quantity	Lamp Type	Voltage	Ballast Factor	Specific Ballast	Options
PB4 - 4' Power Bay	SA - Medium Distribution	6	28 - (T8 28W)	UNI - (120-277)	H - (T8 High)	Leave Blank - (TCP)	(See Below)
PB8 - 8' Power Bay	WA - Wide Distribution	8	32 - (T8 32W)	347	N - (T8 Normal)	GE - (GE)	
		*12	54 - (T5HO 54W)	480	L - (T8 Low)	ADV - (Advance)	
		*16			V - (T5HO)	ULT - (Universal)	
					HPRS - (T8 H Program Rapid Start)	SYL - (Sylvania)	Must provide ballast part number on order for specific ballast

**OPTIONS**

**Power Cords**

- 2P - 120V, 15A, 8' Power cord w/ straight blade plug
- 3P - 120V, 15A, 8' Power cord w/ twist lock plug
- 4T - 120V, 20A, 10' Power cord w/ twist lock plug
- 11P - 208V, 15A, 8' Power cord w/ straight blade plug
- 9T - 208V, 20A, 8' Power cord w/ twist lock plug
- 8P - 277V, 20A, 8' Power cord w/ straight blade plug
- 10P - 277V, 20A, 15' Power cord w/ straight blade plug
- 10T - 277V, 20A, 10' Power cord w/ twist lock plug
- 10T2 - 277V, 20A, 10' Power cord w/ twist lock plug
- 6C - 120V-300V rated 6' Power cord only. No plug
- 10C - 120V-300V rated 10' Power cord only. No plug
- 10C6 - 120V-600V rated 10' Power cord only. No plug
- 20C - 120V-300V rated 20' Power cord only. No plug
- 6W - 600V rated 6' flexible metal conduit fixture whip
- 6C4 - 120V-300V 6' Power cord only, 4 wire. No plug
- 20C4 - 120V-300V 20' Power cord only, 4 wire. No plug
- 8T - 480V, 20A, 8' Power cord w/ L8-20 twist lock plug

**Occupancy Sensors**

- TS1 - TCP Occupancy sensor w/bracket and interchangeable lenses, 120V, 277V, or 347V
- TS1C - TCP Cold Storage Occupancy Sensor w/bracket and interchangeable lenses, 120V, 277V, and 347V
- TS4 - TCP Occupancy Sensor w/bracket and interchangeable lenses, 480V
- TS4C - TCP Cold Storage Occupancy Sensor w/bracket and interchangeable lenses, 480V
- OS6 - Occupancy sensor w/ bracket for 15'+ mounting hgt.
- OS9 - Occupancy sensor w/ bracket for 15' mounting hgt.

Use a program rapid start ballast with occupancy sensor. EcoVations is not responsible for lamps failing prematurely due to an occupancy sensor being used with an instant start ballast.

- Wire Guard / Lens**
- WG - Wire Guard
- PL - Prismatic Lens
- CL - Clear Lens

**Emergency Ballasts**

- 20B1 - TCP 450 LMS 90 min (T8)
- 20B6 - TCP 700 LMS 90 min (T8)
- 20B5 - TCP 1400 LMS 90 min (T8)
- 20B3 - TCP 3000 LMS 90 min (T8 or T5)
- 20BL5 - TCP 800 LMS 90 min (T5)
- 20BL6 - TCP 1350 LMS 90 min (T5)
- B1 - 400 LMS 90 min (T8)
- B7 - 550 LMS 120 min (T8)
- B9 - 550 LMS 90 min (T8)
- B6 - 650 LMS 90 min (T8)
- B5 - 1350 LMS 90 min (T8)
- B3 - 3000 LMS 90 min (T8 or T5)
- BL5 - 700 LMS 90 min (T5)
- BL6 - 1250 LMS 90 min (T5)

**Emergency Ballast Notes:** Orders with an emergency ballast must include a note on the order indicating the number of lamps to be operated, which lamp(s) will be operated by the emergency ballast (i.e. 3rd lamp), and what voltage is to be used (i.e. 120V). See Emergency Ballast Spec Sheets for details.

† If a desired lamp and/or ballast is needed in an EcoVations linear fluorescent fixture, please provide a spec sheet when consulting with your local sales rep. The sales rep will provide a price to use the desired lamp and/or ballast.

**Lamps Installed in Job Pack**

- 730 - T8 Lamps Only
- 735 - T8 Lamps Only
- 741 - T8 Lamps Only
- 830 - T5 and T8 Lamps
- 835 - T5 and T8 Lamps
- 841 - T5 and T8 Lamps
- 850 - T5 and T8 Lamps
- 865 - T5 and T8 Lamps
- 830HL - T8 Lamps Only
- 835HL - T8 Lamps Only
- 841HL - T8 Lamps Only
- 850HL - T8 Lamps Only
- 865HL - T8 Lamps Only

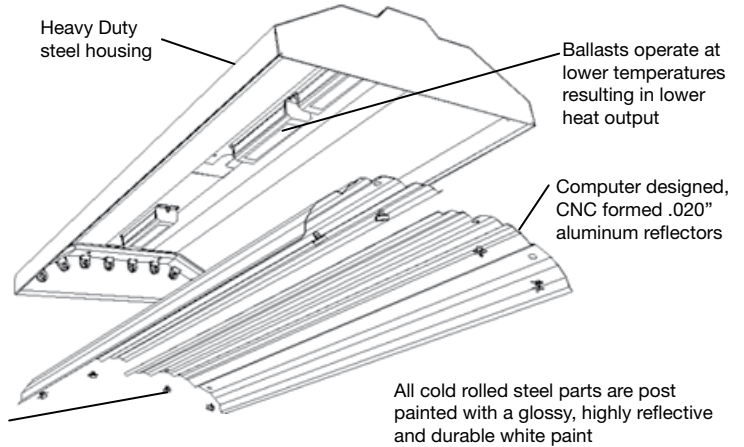
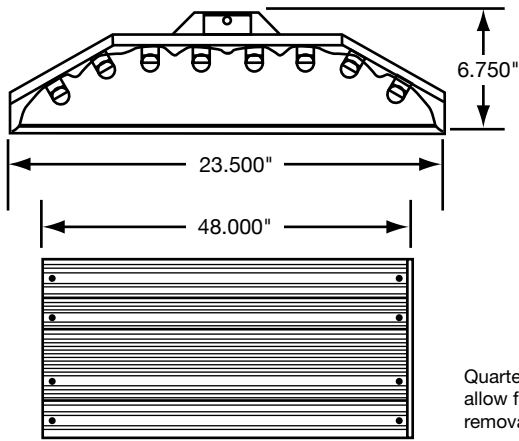
**Special Mounting**

- EZHANGER - 15' adjustable aircraft cable hanging kit
- HCB - Hub Connector Box - 3/4" Threaded Hub Mount
- 12Pendantkit - Mounting kit for 1/2" pendants
- 34Pendantkit - Mounting kit for 3/4" pendants
- LHKIT - Single Point Hook Mounting Kit complete

\* 12 Lamp and 16 Lamp available in PB8 Housing Only.

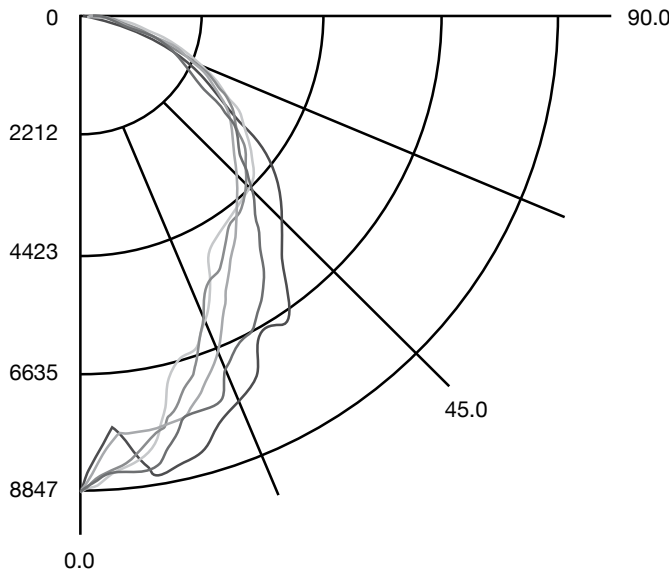
FBO - EcoVations will install supplied modular wire cords

Dimensions & Construction



Photometric Report

**2 x 4 Power Bay, 8-32W, 95% Specular Reflector, 2950 Lumens, .88 BF** Calculated using the zonal cavity method. Lamp configurations shown are typical. All data based on 25°C. Full photometric data on these and other configurations available upon request.



Candela Distribution

	0.0	22.5	45.0	67.5	90.0
0.0	8847	847	8847	8847	8847
5.0	7573	8453	7840	8272	8419
10.0	8579	8499	7743	7976	8177
15.0	8431	7676	7714	7316	6730
20.0	7851	7616	7089	6635	6521
25.0	7648	6855	6381	5594	5857
30.0	6707	6535	5529	5381	4958
35.0	6905	5956	5057	4728	4815
40.0	5903	5276	4554	4737	4608
45.0	5419	4591	4165	4417	4525
50.0	4855	3950	3791	4079	4283
55.0	4136	3580	3469	3608	3799
60.0	3067	2741	3222	3435	3468
65.0	2563	2295	2660	2833	2729
70.0	1891	1814	2153	2364	2421
75.0	1439	1312	1608	1823	1758
80.0	692	932	1054	1111	1140
85.0	207	321	446	455	459
90.0	60	36	43	17	26

Zonal Lumen Summary

Zone	Lumens	% Lamp	% Fixt.
0-30	5910	25	38
0-40	9280	40	45
0-60	16025	69	77
0-90	20768	90	100
90-120	0	0	0
90-150	0	0	0
90-180	0	0	0
0-180	20768	90	100

Total Luminaire Efficiency = 91.4%

Luminance Data in Candela/Square Meter

	0.0	45.0	90.0
0.0	13262	13262	13262
45.0	10333	7077	7745
55.0	9322	6697	7405
65.0	7335	6161	6402
75.0	5883	4840	5385
85.0	1565	2004	2116

Photometric Report

Efficiency (total)	0.91
Spacing Criterion (0-Deg)	1.13
Spacing Criterion (90-Deg)	0.91

Photometric Data by Independent Testing Lab. ITL Boulder.