

Catalog Number

Notes

Type

Performance Bay T5 and T8 Series

Maintenance
No tools required for lamp and ballast access.

Installation
Suspension by chain, cable, hook or monopoint with appropriate accessories.

Warranty
One year warranty against defect in manufacturing.

Listing
UL/CUL Listed - Suitable for damp locations.

Application

The Performance Bay's superior lumen package is ideal for replacing traditional metal halide high bay systems. Benefits include high efficiency, 95% lumen maintenance, improved color rendering, extended lamp life, multi-level switching, instant on, dimming and improved uniformity. Suggested mounting heights from 15' – 40' with primary applications including warehousing, commercial facilities, manufacturing facilities, open and stack aisle applications. This fixture was designed with the contractor in mind. The hinging door to access the ballast on the back of the fixture makes accessing the ballast easy.

Description

The fixture was designed for optimum performance utilizing either T5 or T8 lamps. The Performance Bay's heavy duty 20 gauge housing exceeds code gauge steel and all components are post painted with a glossy, high reflectance white paint. Sockets include secure positioning rotating collars.

Reflector Optics

The superior beam spread optic covers from narrow aisle lighting to open area general lighting. The Performance Bay is available using a 95% reflectance specular aluminum (SA) Miro®4 or a 92% reflectance white aluminum (WA) reflector, which have a 25 year warranty. The reflector options include uplight or non-uplight, depending on the application.

Electrical

All ballasts are class P rated and UL/CUL listed. Our ballasts are also thermally protected, sound rated and tightly secured by mounting bolts.

Finish

The baked white enamel finish is electrostatically applied and post painted with a glossy, highly reflective and durable white paint.

Catalog Ordering Matrix

Family	Reflector Distribution	Lamp Quantity	Lamp Type	Voltage	Ballast Factor	Specific Ballast	Options
PF4 - 4' Performance Bay	NA - Narrow Distribution	4	28 - (T8 28W)	UNI - (120-277)	H - (T8 High)	Leave Blank - (TCP)	(See Below)
	SA - Medium Distribution	6	32 - (T8 32W)	347	N - (T8 Normal)	GE - (GE)	
	WA - Wide Distribution	8	54 - (T5HO 54W)	480	L - (T8 Low) V - (T5HO) HPRS - (T8 H Program Rapid Start)	ADV - (Advance) ULT - (Universal) SYL - (Sylvania) Must provide ballast part number on order for specific ballast	
Add "U" for uplight (Not available for NA)							

OPTIONS

Power Cords

- 2P - 120V, 15A, 8' Power cord w/ straight blade plug
- 3P - 120V, 15A, 8' Power cord w/ twist lock plug
- 4T - 120V, 20A, 10' Power cord w/ twist lock plug
- 11P - 208V, 15A, 8' Power cord w/ straight blade plug
- 9T - 208V, 20A, 8' Power cord w/ twist lock plug
- 8P - 277V, 20A, 8' Power cord w/ straight blade plug
- 10P - 277V, 20A, 15' Power cord w/ straight blade plug
- 10T - 277V, 15A, 10' Power cord w/ twist lock plug
- 10T2 - 277V, 20A, 10' Power cord w/ twist lock plug
- 6C - 120V-300V rated 6' Power cord only. No plug
- 10C - 120V-300V rated 10' Power cord only. No plug
- 10C6 - 120V-600V rated 10' Power cord only. No plug
- 20C - 120V-300V rated 20' Power cord only. No plug
- 6W - 600V rated 6' flexible metal conduit fixture whip
- 6C4 - 120V-300V 6' Power cord only, 4 wire. No plug
- 20C4 - 120V-300V 20' Power cord only, 4 wire. No plug
- 8T - 480V, 20A, 8' Power cord w/ L8-20 twist lock plug

Occupancy Sensors

- TS1 - TCP Occupancy sensor w/bracket and interchangeable lenses, 120V, 277V, or 347V
- TS1C - TCP Cold Storage Occupancy Sensor w/ bracket and interchangeable lenses, 120V, 277V, or 347V
- TS4 - TCP Occupancy sensor w/bracket and interchangeable lenses, 480V
- TS4C - TCP Cold Storage Occupancy Sensor w/ bracket and interchangeable lenses, 480V
- OS6 - Occupancy sensor w/ bracket for 15'+ mounting hgt.
- OS9 - Occupancy sensor w/ bracket for 15' mounting hgt.

Use a program rapid start ballast with occupancy sensor. EcoVations is not responsible for lamps failing prematurely due to an occupancy sensor being used with an instant start ballast.

Wire Guard

- WG - Wire Guard

Lamps Installed in Job Pack

- 730 - T8 Lamps Only
- 735 - T8 Lamps Only
- 741 - T8 Lamps Only
- 830 - T5 and T8 Lamps
- 835 - T5 and T8 Lamps
- 841 - T5 and T8 Lamps
- 850 - T5 and T8 Lamps
- 865 - T5 and T8 Lamps
- 830HL - T8 Lamps Only
- 835HL - T8 Lamps Only
- 841HL - T8 Lamps Only
- 850HL - T8 Lamps Only
- 865HL - T8 Lamps Only

Special Mounting

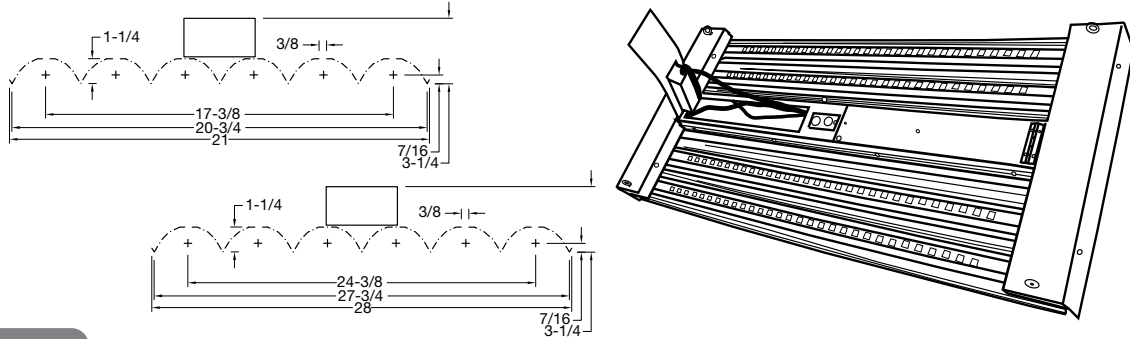
- EZHANGER - 15' adjustable aircraft cable hanging kit
- HCB - Hub Connector Box - 3/4" Threaded Hub Mount
- 12Pendantkit - Mounting kit for 1/2" pendants
- 34Pendantkit - Mounting kit for 3/4" pendants
- LHKIT - Single Point Hook Mounting Kit complete
- TCPYHookX10FT - 10' adjustable aircraft cable hanging kit with hooks

No Emergency Ballast Available

† If a desired lamp and/or ballast is needed in an EcoVations linear fluorescent fixture, please provide a spec sheet when consulting with your local sales rep. The sales rep will provide a price to use the desired lamp and/or ballast.

FBO - EcoVations will install supplied modular wire cords

Dimensions & Construction



Photometric Report

2x4 Performance Bay, 6-54w, 95%MIRO 4 Reflector 4,450 Lumens EcoVations Industrial Strip Luminaire with 6x54w lamp, lumen rating 4450 LMS, and one SYLVANIA QTP2X54T5HO, one SYLVANIA QTP4X54T5HO electronic ballast operating AT 120 VAC and 347.4 watts

Photometric Report

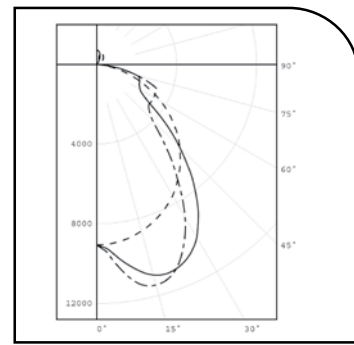
Efficiency (total) 100.3
 Spacing Criterion (0-Deg) 1.1
 Spacing Criterion (90-Deg) 1.2

Average Luminance (Candelas / Square Meter)

Angle	0	45.0	90
45	13019	12760	8535
55	12208	8057	8837
65	10862	8631	12023
75	8560	12346	12532
85	3233	7230	5755

Zonal Lumen Summary

Zone	Lumens	Lamp %	Fixture %
0-30	8648	32.4	32.3
0-40	13826	51.8	51.6
0-60	21756	81.5	81.2
0-90	26777	100.3	100.0
90-180	0	0.0	0.0
0-180	26777	100.3	100.0



Coefficient of Utilization Table Effective Floor Cavity Reflectance = 20%

RC RW	80				70				50				30				10				0			
	70	50	30	10	70	50	30	10	50	30	10	50	30	10	50	30	10	0	50	30	10	0		
0	1.19	1.19	1.19	1.19	1.17	1.17	1.17	1.17	1.11	1.11	1.11	1.07	1.07	1.07	1.02	1.02	1.02	1.00	1.02	1.02	1.02	1.00		
1	1.10	1.05	1.01	0.97	1.07	1.03	0.99	0.96	0.98	0.95	0.93	0.95	0.92	0.90	0.91	0.89	0.87	0.85	0.91	0.89	0.87	0.85		
2	1.00	0.92	0.86	0.80	0.98	0.90	0.84	0.79	0.87	0.82	0.77	0.83	0.79	0.76	0.80	0.77	0.74	0.72	0.80	0.77	0.74	0.72		
3	0.92	0.82	0.74	0.67	0.89	0.80	0.73	0.67	0.77	0.71	0.66	0.74	0.69	0.65	0.72	0.67	0.63	0.61	0.72	0.67	0.63	0.61		
4	0.84	0.73	0.64	0.58	0.82	0.72	0.64	0.57	0.69	0.62	0.57	0.67	0.61	0.56	0.65	0.59	0.55	0.53	0.65	0.59	0.55	0.53		
5	0.78	0.66	0.57	0.50	0.76	0.64	0.56	0.50	0.62	0.55	0.50	0.60	0.54	0.49	0.59	0.53	0.49	0.46	0.59	0.53	0.49	0.46		
6	0.72	0.59	0.51	0.44	0.70	0.58	0.50	0.44	0.57	0.49	0.44	0.55	0.48	0.43	0.53	0.48	0.43	0.41	0.53	0.48	0.43	0.41		
7	0.67	0.54	0.46	0.40	0.65	0.53	0.45	0.39	0.52	0.44	0.39	0.50	0.44	0.39	0.49	0.43	0.39	0.37	0.49	0.43	0.39	0.37		
8	0.63	0.50	0.41	0.36	0.61	0.49	0.41	0.35	0.48	0.40	0.35	0.46	0.40	0.35	0.45	0.39	0.35	0.33	0.45	0.39	0.35	0.33		
9	0.59	0.46	0.38	0.32	0.57	0.45	0.37	0.32	0.44	0.37	0.32	0.43	0.36	0.32	0.42	0.36	0.32	0.30	0.42	0.36	0.32	0.30		
10	0.55	0.42	0.34	0.29	0.54	0.42	0.34	0.29	0.41	0.34	0.29	0.40	0.33	0.29	0.39	0.32	0.29	0.27	0.39	0.32	0.29	0.27		

Photometric Report

2x4 Performance Bay, 8-54w, 95%MIRO 4 Reflector 4,450 Lumens EcoVations Industrial Strip Luminaire with 8x54w lamp, lumen rating 4450 LMS, and two SYLVANIA QTP4X54T5HO electronic ballast operating AT 120 VAC and 461 watts

Photometric Report

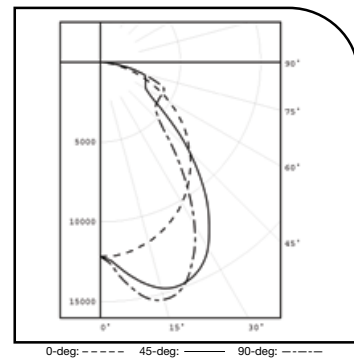
Efficiency (total) 99.4
 Spacing Criterion (0-Deg) 1.2
 Spacing Criterion (90-Deg) 1.3

Average Luminance (Candelas / Square Meter)

Angle	0	45.0	90
45	12868	12772	897
55	12124	8108	8784
65	10820	8552	11899
75	8498	12041	12023
85	3241	6336	4822

Zonal Lumen Summary

Zone	Lumens	Lamp %	Fixture %
0-30	11437	32.1	32.3
0-40	18285	51.4	51.7
0-60	28801	80.9	81.4
0-90	35369	99.4	100.0
90-180	0	0.0	0.0
0-180	35369	99.4	100.0



Coefficient of Utilization Table Effective Floor Cavity Reflectance = 20%

Pcc... Pw... RCR	80				70				50				30				10				0			
	70	50	30	10	70	50	30	10	50	30	10	50	30	10	50	30	10	0	50	30	10	0		
0	1.18	1.18	1.18	1.18	1.16	1.16	1.16	1.16	1.10	1.10	1.10	1.06	1.06	1.06	1.01	1.01	1.01	0.99	1.01	1.01	1.01	0.99		
1	1.09	1.04	1.00	0.96	1.06	1.02	0.98	0.95	0.98	0.95	0.92	0.94	0.91	0.89	0.90	0.88	0.86	0.84	0.90	0.88	0.86	0.84		
2	0.99	0.91	0.85	0.79	0.97	0.90	0.84	0.79	0.86	0.81	0.77	0.83	0.79	0.75	0.80	0.76	0.73	0.71	0.80	0.76	0.73	0.71		
3	0.91	0.81	0.79	0.67	0.89	0.79	0.72	0.66	0.76	0.70	0.65	0.74	0.68	0.64	0.71	0.67	0.63	0.61	0.71	0.67	0.63	0.61		
4	0.84	0.72	0.64	0.57	0.81	0.71	0.63	0.57	0.68	0.62	0.56	0.66	0.60	0.56	0.64	0.59	0.55	0.53	0.64	0.59	0.55	0.53		
5	0.77	0.65	0.56	0.50	0.75	0.64	0.56	0.50	0.62	0.55	0.49	0.60	0.54	0.49	0.58	0.53	0.48	0.46	0.58	0.53	0.48	0.46		
6	0.72	0.59	0.50	0.44	0.70	0.58	0.50	0.44	0.56	0.49	0.44	0.54	0.48	0.43	0.53	0.47	0.43	0.41	0.53	0.47	0.43	0.41		
7	0.67	0.54	0.45	0.39	0.65	0.53	0.45	0.39	0.51	0.44	0.39	0.50	0.43	0.39	0.49	0.43	0.38	0.36	0.49	0.43	0.38	0.36		
8	0.62	0.49	0.41	0.35	0.61	0.48	0.41	0.35	0.47	0.40	0.35	0.46	0.39	0.35	0.45	0.39	0.35	0.33	0.45	0.39	0.35	0.33		
9	0.58	0.45	0.37	0.32	0.57	0.45	0.37	0.32	0.44	0.37	0.32	0.42	0.36	0.32	0.41	0.36	0.31	0.30	0.41	0.36	0.31	0.30		
10	0.55	0.42	0.34	0.29	0.53	0.41	0.34	0.29	0.40	0.34	0.29	0.39	0.33	0.29	0.39	0.33	0.29	0.27	0.39	0.33	0.29	0.27		