

Catalog Number	
Notes	Type

**Application**

The Green Hi-Bay's superior lumen package is ideal for replacing traditional metal halide high bay systems. Benefits include high efficiency, 95% lumen maintenance, improved color rendering, extended lamp life, multi-level switching, instant on, dimming and improved uniformity. Suggested mounting heights from 15' – 40' with primary applications including warehousing, commercial facilities, manufacturing facilities, open and stack aisle applications.

**Description**

The fixture was designed for optimum performance utilizing either T5 or T8 lamps. The Green Hi-Bay's heavy duty 20 gauge housing exceeds code gauge steel and all components are post painted with a glossy, high reflectance white, as well as a glossy green backbone because this fixture was designed to be environmentally friendly. Sockets include secure positioning rotating collars.

**Reflector Optics**

The superior beam spread optic covers from narrow aisle lighting to open area general lighting. The Green Hi-Bay is available using a 95% reflectance specular aluminum (SA) Miro®4 or a 92% reflectance white aluminum (WA) reflector, which have a 25 year warranty. The reflector options include upright or non-upright, depending on the application.

**Electrical**

All ballasts are class P rated and UL/CUL listed. Our ballasts are also thermally protected, sound rated and tightly secured by mounting bolts.

**Finish**

The baked white and green enamel finish is electrostatically applied and post-painted with a glossy, highly reflective and durable paint.

**Green Hi-Bay T5 and T8 Series**

**Maintenance**

No tools required for lamp and ballast access.

**Installation**

Suspension by chain, cable, hook or monopoint with appropriate accessories.

**Warranty**

One year warranty against defect in manufacturing.

**Listing**

UL/CUL Listed - Suitable for damp locations.

**Catalog Ordering Matrix**

Family	Reflector Distribution	Lamp Quantity	Lamp Type	Voltage	Ballast Factor	Specific Ballast	Options
GH4 - 4' Green Hi-Bay	SA - Narrow Distribution	4	28 - (T8 28W)	UNI - (120-277)	H - (T8 High)	Leave Blank - (TCP)	(See Below)
	WA - Wide Distribution	6	32 - (T8 32W)	347	N - (T8 Normal)	GE - (GE)	
	Add "U" for upright	8	54 - (T5H0 54W)	480	L - (T8 Low) V - (T5HO) HPRS - (T8 H Program Rapid Start)	ADV - (Advance) ULT - (Universal) SYL - (Sylvania) Must provide ballast part number on order for specific ballast	

**OPTIONS**

**Power Cords**

- 2P - 120V, 15A, 8' Power cord w/ straight blade plug
- 3P - 120V, 15A, 8' Power cord w/ twist lock plug
- 4T - 120V, 20A, 10' Power cord w/ twist lock plug
- 11P - 208V, 15A, 8' Power cord w/ straight blade plug
- 9T - 208V, 20A, 8' Power cord w/ twist lock plug
- 8P - 277V, 20A, 8' Power cord w/ straight blade plug
- 10P - 277V, 20A, 15' Power cord w/ straight blade plug
- 10T - 277V, 15A, 10' Power cord w/ twist lock plug
- 10T2 - 277V, 20A, 10' Power cord w/ twist lock plug
- 6C - 120V-300V rated 6' Power cord only. No plug
- 10C - 120V-300V rated 10' Power cord only. No plug
- 10C6 - 120V-600V rated 10' Power cord only. No plug
- 20C - 120V-300V rated 20' Power cord only. No plug
- 6W - 600V rated 6' flexible metal conduit fixture whip
- 6C4 - 120V-300V 6' Power cord only, 4 wire. No plug
- 20C4 - 120V-300V 20' Power cord only, 4 wire. No plug
- 8T - 480V, 20A, 8' Power cord w/ L8-20 twist lock plug

**Occupancy Sensors**

- TS1 - TCP Occupancy sensor w/bracket and interchangeable lenses, 120V, 277V, or 347V
- TS1C - TCP Cold Storage Occupancy Sensor w/ bracket and interchangeable lenses, 120V, 277V, or 347V
- TS4 - TCP Occupancy sensor w/bracket and interchangeable lenses, 480V
- TS4C - TCP Cold Storage Occupancy Sensor w/ bracket and interchangeable lenses, 480V
- OS6 - Occupancy sensor w/ bracket for 15'+ mounting hgt.
- OS9 - Occupancy sensor w/ bracket for 15' mounting hgt.

Use a program rapid start ballast with occupancy sensor. EcoVations is not responsible for lamps failing prematurely due to an occupancy sensor being used with an instant start ballast.

- Wire Guard
- WG - Wire Guard

**Lamps Installed in Job Pack**

- 730 - T8 Lamps Only
- 735 - T8 Lamps Only
- 741 - T8 Lamps Only
- 830 - T5 and T8 Lamps
- 835 - T5 and T8 Lamps
- 841 - T5 and T8 Lamps
- 850 - T5 and T8 Lamps
- 865 - T5 and T8 Lamps
- 830HL - T8 Lamps Only
- 835HL - T8 Lamps Only
- 841HL - T8 Lamps Only
- 850HL - T8 Lamps Only
- 865HL - T8 Lamps Only

**Special Mounting**

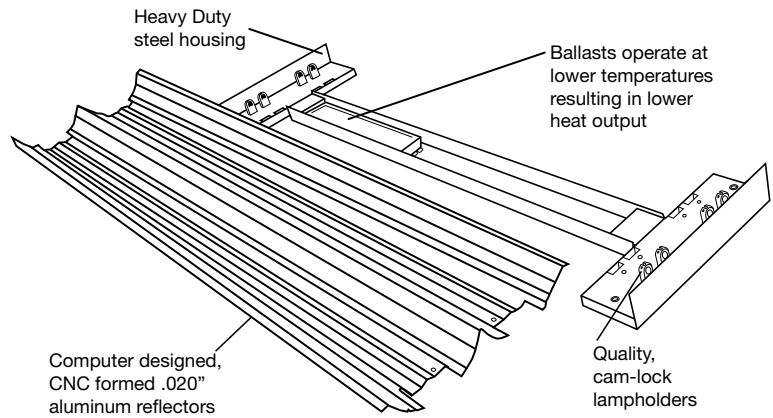
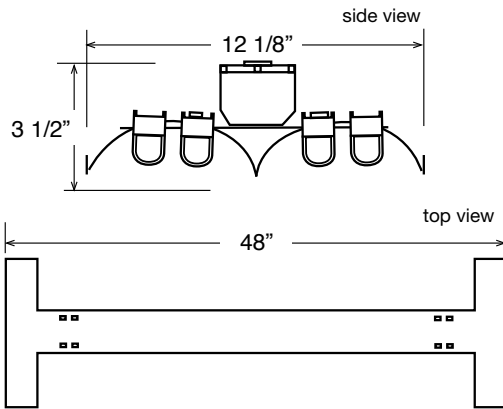
- EZHANGER - 15' adjustable aircraft cable hanging kit
- HCB - Hub Connector Box - 3/4" Threaded Hub Mount
- 12Pendantkit - Mounting kit for 1/2" pendants
- 34Pendantkit - Mounting kit for 3/4" pendants
- LHKIT - Single Point Hook Mounting Kit complete
- TCPYHookX10FT - 10' adjustable aircraft cable hanging kit with hooks

**No Emergency Ballast Available**

† If a desired lamp and/or ballast is needed in an EcoVations linear fluorescent fixture, please provide a spec sheet when consulting with your local sales rep. The sales rep will provide a price to use the desired lamp and/or ballast.

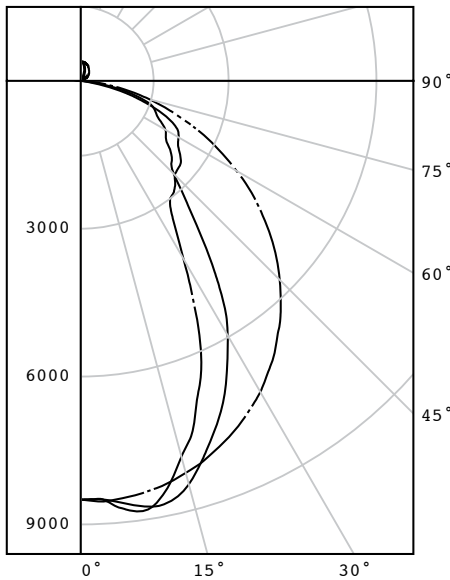
FBO – EcoVations will install supplied modular wire cords

Dimensions & Construction



Photometric Report

**1 x 4 Green Hi-Bay, 4-54W, 95% Specular Reflector, with Uplight** EcoVations Green Hi-Bay Luminaire with Enhanced Aluminum reflector, 4-54W lamps with lumen rating of 5000 lumens and two electronic ballasts operating at 120 VAC and 229 watts.



Candela Distribution

	0.0	22.5	45.0	67.5	90.0
0.0	8495	8495	8495	8495	8495
5.0	8520	8524	8477	8077	7896
15.0	8235	8558	8477	8077	7896
25.0	7665	7962	6930	6119	5703
35.0	6827	6561	4745	3467	3186
45.0	5711	4841	2674	2717	2701
55.0	4387	2775	2120	2390	2432
65.0	2917	1428	1720	2047	2086
75.0	1439	920	1154	1020	931
85.0	223	235	50	8	0
90.0	0	0	0	0	0

Zonal Lumen Summary

Zone	Lumens	% Lamp	% Fixt.
0-30	6326	35.5	34.5
0-40	9430	53.0	51.4
0-60	14648	82.3	79.8
0-90	17831	100.2	97.1
90-120	111	0.6	0.6
90-150	306	1.7	1.7
90-180	531	3.0	2.9
0-180	13254	103.2	100.0

Total Luminaire Efficiency = 103.2%

Luminance Data in Candela/  
Square Meter

	0.0	45.0	90.0
45.0	22374	10476	10581
55.0	21188	10239	11746
65.0	19120	11274	13673
75.0	15402	12351	9965
85.0	7088	1589	0

Photometric Report

Efficiency (total)	1.03
Spacing Criterion (0-Deg)	1.3
Spacing Criterion (90-Deg)	0.9

Photometric Data by  
Independent Testing Lab.  
ITL Boulder.