

## Mounting instructions for EcoVations lighting fixture, using Y-Hook hangers.

Item Number	Description
TCPYHOOKX10FT	Y-Hook 10 Foot Hangong Kit

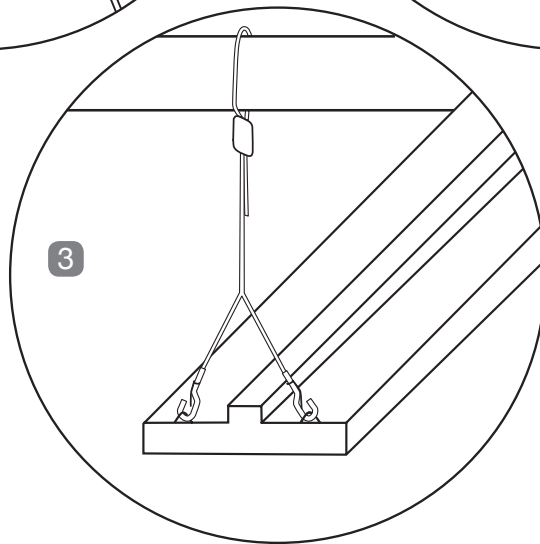
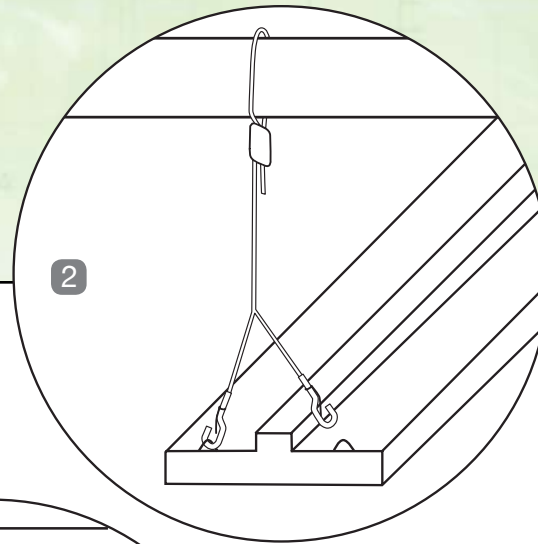
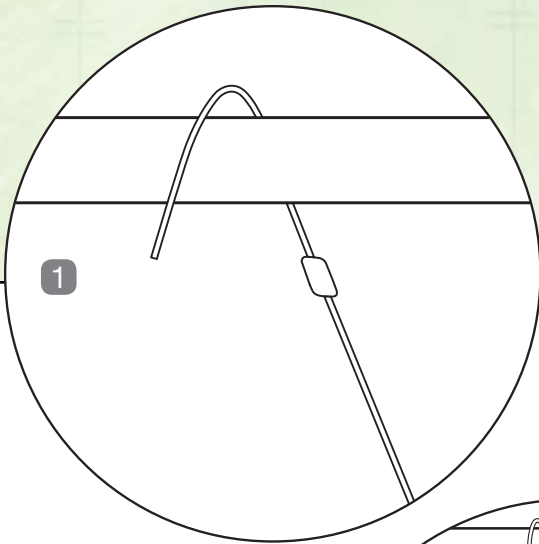
**TCPYHOOKX10FT**

### Components included with each kit:

- 2 - 10' Aircraft Cable with 'Y' split and two hooks
- 2 - Grip Fastener

### Recommended use for:

- Green Hi-Bay
- Sky Bay
- Polar Bay



### Mounting Instructions:

- 1) Thread hanger onto cable and pass over ceiling anchor point.
- 2) Pass tail end of cable through the other channel of the hanger and with fixture supported, snap hooks onto fixture
- 3) Adjust to proper height by pulling cable through either end of the hanger.

How to use release key to adjust fixture

