

General Purpose Strip T8/T5



Application

The General Purpose Strip is designed for surface or suspended mounting. The fixture is ideal for medium illumination levels and suitable for general task lighting. Suggested use for mounting heights up to 16' requiring low to medium light levels. Ideal for light-duty task lighting, aisles, warehousing, storage and retail.

Description

The full body assembly accommodates multiple optics utilizing either T5 or T8 lamps. The General Purpose Strip's heavy duty 20 gauge housing exceeds code gauge steel and all components are post painted with a glossy, high reflectance white paint. Sockets include secure positioning rotating collars.

Reflector Optics

The General Purpose Strip is available using a 95% reflectance specular aluminum (SA) Miro®4 or a 92% reflectance white aluminum (WA) reflector, which have a 25 year warranty.

Electrical

All ballasts are class P rated and UL/CUL listed. Our ballasts are also thermally protected, sound rated and tightly secured by mounting bolts.

Finish

The baked white enamel finish is electrostatically applied and post painted with a glossy, highly reflective and durable white paint.

General Purpose Strip T5 and T8 Series

Maintenance

No tools required for lamp and ballast access.

Installation

Suspension by chain, cable, hook or monopoint with appropriate accessories.

Warranty

One year warranty against defect in manufacturing.

Listing

UL/CUL Listed - Suitable for damp locations.

Catalog Ordering Matrix

Family	Reflector Distribution	Lamp Quantity	Lamp Type	Voltage	Ballast Factor	Specific Ballast	Options
GP4 - 4' General Purpose Strip	SA - Narrow Distribution	1	28 - (T8 28W)	UNI - (120-277)	H - (T8 High)	Leave Blank - (TCP)	(See Below)
GP8 - 8' General Purpose Strip	WA - Wide Distribution	*4	32 - (T8 32W)	480	N - (T8 Normal)	GE - (GE)	
					L - (T8 Low)	ADV - (Advance)	
					V - (T5HO)	ULT - (Universal)	
					HPRS - (T8 H Program Rapid Start)	SYL - (Sylvania)	
						Must provide ballast part number on order for specific ballast	

OPTIONS

Power Cords

2P - 120V, 15A, 8' Power cord w/ straight blade plug
 3P - 120V, 15A, 8' Power cord w/ twist lock plug
 4T - 120V, 20A, 10' Power cord w/ twist lock plug
 11P - 208V, 15A, 8' Power cord w/ straight blade plug
 9T - 208V, 20A, 8' Power cord w/ twist lock plug
 8P - 277V, 20A, 8' Power cord w/ straight blade plug
 10P - 277V, 20A, 15' Power cord w/ straight blade plug
 10T - 277V, 15A, 10' Power cord w/ twist lock plug
 10T2 - 277V, 20A, 10' Power cord w/ twist lock plug
 6C - 120V-300V rated 6' Power cord only. No plug
 10C - 120V-300V rated 10' Power cord only. No plug
 10C6 - 120V-600V rated 10' Power cord only. No plug
 20C - 120V-300V rated 20' Power cord only. No plug
 6W - 600V rated 6' flexible metal conduit fixture whip
 6C4 - 120V-300V 6' Power cord only, 4 wire. No plug
 20C4 - 120V-300V 20' Power cord only, 4 wire. No plug
 8T - 480V, 20A, 8' Power cord w/ L8-20 twist lock plug

Occupancy Sensors

OS6 - Occupancy sensor w/ bracket for 15'+ mounting hgt.
 OS9 - Occupancy sensor w/ bracket for 15' mounting hgt.
 Use a program rapid start ballast with occupancy sensor. EcoVations is not responsible for lamps failing prematurely due to an occupancy sensor being used with an instant start ballast.

Emergency Ballasts

20B1 - TCP 450 LMS 90 min (T8)
 20B6 - TCP 700 LMS 90 min (T8)
 20B5 - TCP 1400 LMS 90 min (T8)
 20B3 - TCP 3000 LMS 90 min (T8 or T5)
 20BL5 - TCP 800 LMS 90 min (T5)
 20BL6 - TCP 1350 LMS 90 min (T5)
 B1 - 400 LMS 90 min (T8)
 B7 - 550 LMS 120 min (T8)
 B9 - 550 LMS 90 min (T8)
 B6 - 650 LMS 90 min (T8)
 B3 - 3000 LMS 90 min (T8 or T5)
 B5 - 1350 LMS 90 min (T8)
 BL5 - 700 LMS 90 min (T5)
 BL6 - 1250 LMS 90 min (T5)

Emergency Ballast Notes:

Orders with an emergency ballast must include a note on the order indicating the number of lamps to be operated, which lamp(s) will be operated by the emergency ballast (i.e. 3rd lamp), and what voltage is to be used (i.e. 120V). See Emergency Ballast Spec Sheets for details.

† If a desired lamp and/or ballast is needed in an EcoVations linear fluorescent fixture, please provide a spec sheet when consulting with your local sales rep. The sales rep will provide a price to use the desired lamp and/or ballast.

Special Mounting

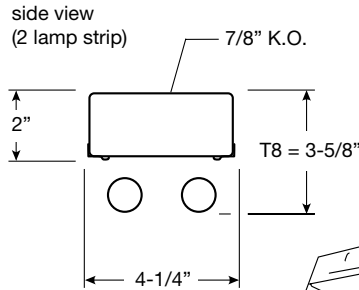
EZHANGER - 15" adjustable aircraft cable hanging kit
 HCB - Hub Connector Box - 3/4" Threaded Hub Mount
 12Pendantkit - Mounting kit for 1/2" pendants
 34Pendantkit - Mounting kit for 3/4" pendants
 LHKIT - Single Point Hook Mounting Kit complete

* 4 Lamp available in GP8 Housing Only.

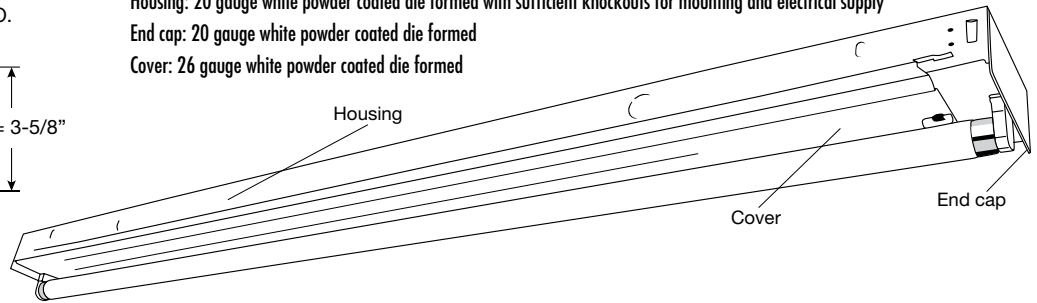
EcoVations will install supplied modular wire cords

General Purpose Strip T8/T5

Dimensions & Construction



Housing: 20 gauge white powder coated die formed with sufficient knockouts for mounting and electrical supply
 End cap: 20 gauge white powder coated die formed
 Cover: 26 gauge white powder coated die formed



Photometric Report

48" General Purpose Strip, 1x32 watt EcoVations General Purpose Strip Luminaire with 1x32w lamp, lumen rating 2950 LMS, and one ADVANCE REL - 2P32-RH-TP electronic ballast operating AT 120 VAC and 56 watts

Photometric Report

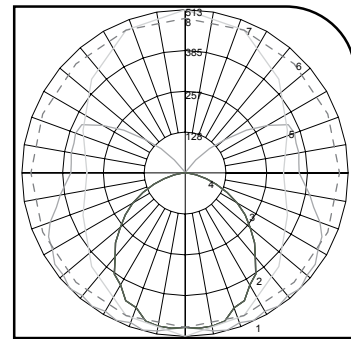
Efficiency (total)\ Spacing 97.8
 Criterion (0-Deg) 1.3
 Spacing Criterion (90-Deg) 1.6

Average Luminance (Candelas / Square Meter)

Angle	0	45.0	90
45	4869	4829	5433
55	4410	4909	5681
65	3720	4947	6006
75	2743	5076	6213
85	1068	5443	6975

Zonal Lumen Summary

Zone	Lumens	% Lamp	% Fixture
0-30	403.43	13.7	14
0-40	683.24	23.2	23.7
0-60	1335.13	45.3	46.3
0-90	2175.12	73.7	75.4
90-180	709.33	24.6	24.6
0-180	2884.45	97.8	100



0 Degree & 90 Degree = dashed line. / 45 Degree = solid line.

Coefficient of Utilization Table Effective Floor Cavity Reflectance = 20%

Pcc... Pw... RCR	80				70				50				30				10				0			
	70	50	30	10	70	50	30	10	50	30	10	30	50	30	10	10	50	30	10	0	50	30	10	0
0	1.11	1.11	1.11	1.11	1.05	1.05	1.05	1.05	0.95	0.95	0.95	0.86	0.86	0.86	0.78	0.78	0.78	0.78	0.78	0.74	0.74	0.74	0.74	0.74
1	0.97	0.91	0.86	0.81	0.92	0.87	0.82	0.78	0.78	0.74	0.71	0.70	0.67	0.64	0.63	0.60	0.58	0.58	0.58	0.54	0.54	0.54	0.54	0.54
2	0.87	0.78	0.70	0.63	0.82	0.74	0.67	0.61	0.66	0.61	0.56	0.59	0.55	0.51	0.53	0.49	0.46	0.46	0.43	0.43	0.43	0.43	0.43	0.43
3	0.79	0.67	0.58	0.51	0.74	0.64	0.56	0.49	0.57	0.51	0.45	0.51	0.46	0.41	0.46	0.41	0.38	0.38	0.34	0.34	0.34	0.34	0.34	0.34
4	0.72	0.59	0.49	0.42	0.67	0.56	0.47	0.41	0.50	0.43	0.38	0.45	0.39	0.34	0.40	0.35	0.31	0.31	0.28	0.28	0.28	0.28	0.28	0.28
5	0.65	0.52	0.43	0.36	0.62	0.49	0.47	0.34	0.45	0.37	0.32	0.40	0.34	0.29	0.36	0.31	0.27	0.27	0.24	0.24	0.24	0.24	0.24	0.24
6	0.60	0.46	0.37	0.31	0.57	0.44	0.36	0.30	0.40	0.33	0.27	0.36	0.30	0.25	0.32	0.27	0.23	0.23	0.21	0.21	0.21	0.21	0.21	0.21
7	0.56	0.42	0.33	0.27	0.52	0.40	0.32	0.26	0.36	0.29	0.24	0.33	0.27	0.22	0.29	0.24	0.20	0.20	0.18	0.18	0.18	0.18	0.18	0.18
8	0.52	0.38	0.29	0.23	0.49	0.36	0.28	0.23	0.33	0.26	0.21	0.30	0.24	0.20	0.27	0.22	0.18	0.18	0.16	0.16	0.16	0.16	0.16	0.16
9	0.48	0.35	0.26	0.21	0.45	0.33	0.25	0.20	0.30	0.23	0.19	0.27	0.22	0.17	0.25	0.20	0.16	0.16	0.14	0.14	0.14	0.14	0.14	0.14
10	0.45	0.32	0.24	0.19	0.42	0.30	0.23	0.18	0.28	0.21	0.17	0.25	0.20	0.16	0.23	0.18	0.15	0.15	0.13	0.13	0.13	0.13	0.13	0.13

Photometric Report

48" General Purpose Strip, 2x32 watt EcoVations General Purpose Strip Luminaire with 2x32w lamp, lumen rating 2950 LMS, and one ADVANCE REL - 2P32-RH-TP electronic ballast operating AT 120 VAC and 56 watts

Photometric Report

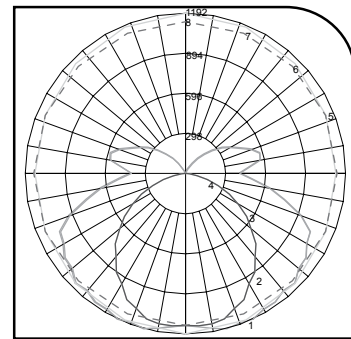
Efficiency (total)\ Spacing 98.6
 Criterion (0-Deg) 1.6
 Spacing Criterion (90-Deg) 1.3

Average Luminance (Candelas / Square Meter)

Angle	0	45.0	90
45	7275	7875	8745
55	6641	7857	9256
65	5739	8335	10140
75	4242	8428	9394
85	1758	8212	8465

Zonal Lumen Summary

Zone	Lumens	% Lamp	% Fixture
0-30	942.71	16	16.3
0-40	1588.65	26.9	27.5
0-60	3073.66	52.1	53.2
0-90	4714.75	79.9	81.6
90-180	1061.83	18	18.4
0-180	5776.58	97.9	100



0 Degree & 90 Degree = dashed line. / 45 Degree = solid line.

Coefficient of Utilization Table Effective Floor Cavity Reflectance = 20%

Pcc... Pw... RCR	80				70				50				30				10				0			
	70	50	30	10	70	50	30	10	50	30	10	30	50	30	10	10	50	30	10	0	50	30	10	0
0	1.12	1.12	1.12	1.12	1.08	1.08	1.08	1.08	0.99	0.99	0.99	0.91	0.91	0.91	0.83	0.83	0.83	0.83	0.83	0.80	0.80	0.80	0.80	0.80
1	1.00	0.94	0.89	0.84	0.95	0.90	0.85	0.81	0.82	0.79	0.75	0.75	0.72	0.70	0.69	0.67	0.65	0.65	0.61	0.61	0.61	0.61	0.61	0.61
2	0.89	0.80	0.72	0.66	0.85	0.77	0.70	0.64	0.70	0.65	0.60	0.64	0.60	0.56	0.59	0.55	0.55	0.55	0.51	0.51	0.51	0.51	0.51	0.51
3	0.81	0.69	0.60	0.53	0.77	0.66	0.58	0.52	0.61	0.54	0.49	0.56	0.50	0.45	0.51	0.46	0.42	0.42	0.39	0.39	0.39	0.39	0.39	0.39
4	0.7	0.61	0.51	0.44	0.70	0.58	0.50	0.43	0.53	0.46	0.40	0.49	0.43	0.38	0.45	0.40	0.36	0.36	0.33	0.33	0.33	0.33	0.33	0.33
5	0.67	0.54	0.44	0.37	0.64	0.52	0.43	0.36	0.47	0.40	0.34	0.43	0.37	0.32	0.40	0.35	0.30	0.30	0.28	0.28	0.28	0.28	0.28	0.28
6	0.32	0.48	0.39	0.32	0.59	0.46	0.38	0.31	0.42	0.35	0.30	0.39	0.33	0.28	0.36	0.31	0.26	0.26	0.24	0.24	0.24	0.24	0.24	0.24
7	0.57	0.43	0.34	0.28	0.54	0.42	0.33	0.27	0.38	0.31	0.23	0.35	0.29	0.24	0.33	0.27	0.23	0.23	0.21	0.21	0.21	0.21	0.21	0.21
8	0.53	0.39	0.31	0.25	0.50	0.38	0.30	0.24	0.35	0.28	0.23	0.32	0.26	0.22	0.30	0.24	0.20	0.20	0.18	0.18	0.18	0.18	0.18	0.18
9	0.49	0.36	0.28	0.22	0.47	0.35	0.27	0.21	0.32	0.25	0.20	0.30	0.24	0.19	0.27	0.22	0.18	0.18	0.16	0.16	0.16	0.16	0.16	0.16
10	0.46	0.33	0.25	0.20	0.44	0.32	0.24	0.19	0.30	0.23	0.18	0.37	0.22	0.17	0.25	0.20	0.17	0.17	0.15	0.15	0.15	0.15	0.15	0.15