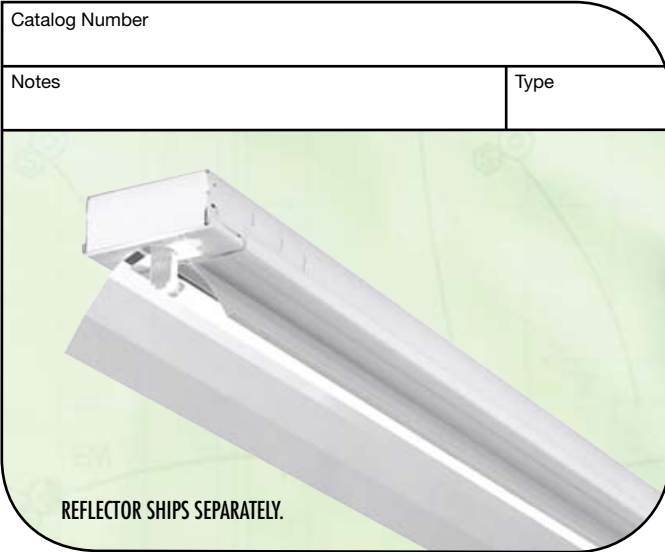


Aisle Lighter T8/T5



Catalog Number	
Notes	Type

Application

The Aisle Lighter is designed for surface or suspended mounting. The fixture is ideal for medium illumination levels and suitable for general task lighting. Suggested use for applications where optimum photometric performance is required. Ideal for light-duty task lighting, aisles, warehousing, storage and retail.

Description

The full body assembly accommodates multiple optics utilizing either T5 or T8 lamps. The Aisle Lighter's heavy duty 20 gauge housing exceeds code gauge steel and all components are post painted with a glossy, high reflectance white paint. Sockets include secure positioning rotating collars. Reflectors are not pre-installed on fixture, some assembly required.

Reflector Optics

The Aisle Lighter's superior beam spread optic covers from narrow aisle lighting to open area general lighting. The fixture comes with a 95% reflectance specular aluminum Miro®4 reflector, which have a 25 year warranty.

Electrical

All ballasts are class P rated and UL/CUL listed. Our ballasts are also thermally protected, sound rated and tightly secured by mounting bolts.

Finish

The baked white enamel finish is electrostatically applied and post painted with a glossy, highly reflective and durable white paint.

Aisle Lighter T5 and T8 Series

Maintenance

No tools required for lamp and ballast access.

Installation

Reflectors not pre-installed on fixture, some assembly required. Suspension by chain, cable, hook or monopoint with appropriate accessories.

Warranty

One year warranty against defect in manufacturing.

Listing

UL/CUL Listed - Suitable for damp locations.

Catalog Ordering Matrix

Family	Lamp Quantity	Lamp Type	Voltage	Ballast Factor	Specific Ballast	Options
AL4 - 4' Aisle Lighter	1	28 - (T8 28W)	UNI - (120-277)	H - (T8 High)	Leave Blank - (TCP)	(See Below)
AL8 - 8' Aisle Lighter	2	32 - (T8 32W)	347	N - (T8 Normal)	GE - (GE)	
	*4	54 - (T5HO 54W)	480	L - (T8 Low)	ADV - (Advance)	
				V - (T5HO)	ULT - (Universal)	
				HPRS -	SYL - (Sylvania)	
				(T8 H Program)	Must provide ballast part number	
				Rapid Start)	on order for specific ballast	

OPTIONS

Power Cords

- 2P - 120V, 15A, 8' Power cord w/ straight blade plug
- 3P - 120V, 15A, 8' Power cord w/ twist lock plug
- 4T - 120V, 20A, 10' Power cord w/ twist lock plug
- 11P - 208V, 15A, 8' Power cord w/ straight blade plug
- 9T - 208V, 20A, 8' Power cord w/ twist lock plug
- 8P - 277V, 20A, 8' Power cord w/ straight blade plug
- 10P - 277V, 20A, 15' Power cord w/ straight blade plug
- 10T - 277V, 15A, 10' Power cord w/ twist lock plug
- 10T2 - 277V, 20A, 10' Power cord w/ twist lock plug
- 6C - 120V-300V rated 6' Power cord only. No plug
- 10C - 120V-300V rated 10' Power cord only. No plug
- 10C6 - 120V-600V rated 10' Power cord only. No plug
- 20C - 120V-300V rated 20' Power cord only. No plug
- 6W - 600V rated 6' flexible metal conduit fixture whip
- 6C4 - 120V-300V 6' Power cord only, 4 wire. No plug
- 20C4 - 120V-300V 20' Power cord only, 4 wire. No plug
- 8T - 480V, 20A, 8' Power cord w/ L8-20 twist lock plug

Occupancy Sensors

- OS6 - Occupancy sensor w/ bracket for 15'+ mounting hgt.
- OS9 - Occupancy sensor w/ bracket for 15' mounting hgt.

Use a program rapid start ballast with occupancy sensor. EcoVations is not responsible for lamps failing prematurely due to an occupancy sensor being used with an instant start ballast.

Emergency Ballasts

- 20B1 - TCP 450 LMS 90 min (T8)
- 20B6 - TCP 700 LMS 90 min (T8)
- 20B5 - TCP 1400 LMS 90 min (T8)
- 20B3 - TCP 3000 LMS 90 min (T8 or T5)
- 20BL5 - TCP 800 LMS 90 min (T5)
- 20BL6 - TCP 1350 LMS 90 min (T5)
- B1 - 400 LMS 90 min (T8)
- B7 - 550 LMS 120 min (T8)
- B9 - 550 LMS 90 min (T8)
- B6 - 650 LMS 90 min (T8)
- B5 - 1350 LMS 90 min (T8)
- B3 - 3000 LMS 90 min (T8 or T5)
- BL5 - 700 LMS 90 min (T5)
- BL6 - 1250 LMS 90 min (T5)

Emergency Ballast Notes:

Orders with an emergency ballast must include a note on the order indicating the number of lamps to be operated, which lamp(s) will be operated by the emergency ballast (i.e. 3rd lamp), and what voltage is to be used (i.e. 120V). See Emergency Ballast Spec Sheets for details.

† If a desired lamp and/or ballast is needed in an EcoVations linear fluorescent fixture, please provide a spec sheet when consulting with your local sales rep. The sales rep will provide a price to use the desired lamp and/or ballast.

Special Mounting

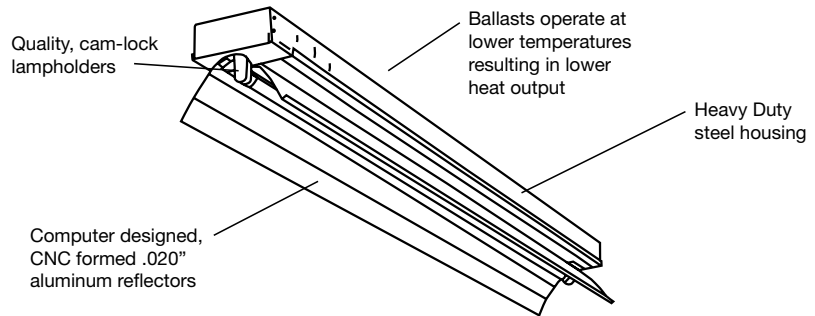
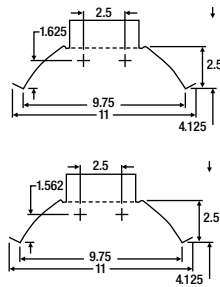
- EZHANGER - 15' adjustable aircraft cable hanging kit
- HCB - Hub Connector Box - 3/4" Threaded Hub Mount
- 12PendantKit - Mounting kit for 1/2" pendants
- 34PendantKit - Mounting kit for 3/4" pendants
- LHKIT - Single Point Hook Mounting Kit complete

* 4 Lamp available in AL8 Housing Only.

EcoVations will install supplied modular wire cords

Aisle Lighter T8/T5

Dimensions & Construction



Photometric Report

48" Aisle Lighter, 2x32 watt EcoVations Aisle Lighter Luminaire with 2x32w lamp, lumen rating 2950 LMS, and one TCP E32IS32120H electronic ballast operating AT 120 VAC and 75.5 watts

Photometric Report

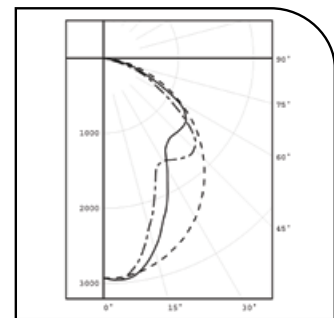
Efficiency (total) 91.0
 Spacing Criterion (0-Deg) 1.2
 Spacing Criterion (90-Deg) 0.8

Average Luminance (Candelas / Square Meter)

Angle	0	45.0	90
45	8781	6485	7964
55	8254	7679	7069
65	7276	6339	5386
75	5685	4334	1976
85	1855	341	0

Zonal Lumen Summary

Zone	Lumens	Lamp %	Fixture %
0-30	1981	27.5	30.3
0-40	3073	42.7	46.9
0-60	5371	74.6	82.0
0-90	6545	90.9	100.0
90-180	3	0	0.0
0-180	6548	91.0	100.0



Coefficient of Utilization Table Effective Floor Cavity Reflectance = 20%

Pcc... Pw... RCR	80				70				50				30				10				0			
	70	50	30	10	70	50	30	10	50	30	10	50	30	10	50	30	10	10	50	30	10	0	0	0
0	1.08	1.08	1.08	1.08	1.06	1.06	1.06	1.06	1.01	1.01	1.01	0.97	0.97	0.97	0.93	0.93	0.93	0.93	0.93	0.93	0.93	0.93	0.93	0.93
1	1.00	0.96	0.92	0.92	0.97	0.94	0.90	0.87	0.90	0.87	0.85	0.86	0.84	0.82	0.83	0.81	0.80	0.80	0.80	0.80	0.80	0.80	0.80	0.78
2	0.91	0.84	0.78	0.78	0.89	0.82	0.77	0.72	0.79	0.74	0.70	0.76	0.72	0.69	0.73	0.70	0.67	0.65	0.65	0.65	0.65	0.65	0.65	0.65
3	0.83	0.74	0.67	0.67	0.81	0.72	0.66	0.60	0.70	0.64	0.59	0.67	0.62	0.58	0.65	0.61	0.57	0.55	0.55	0.55	0.55	0.55	0.55	0.55
4	0.76	0.66	0.58	0.58	0.74	0.64	0.57	0.52	0.62	0.56	0.51	0.60	0.55	0.50	0.58	0.53	0.50	0.48	0.48	0.48	0.48	0.48	0.48	0.48
5	0.70	0.59	0.51	0.51	0.68	0.58	0.50	0.45	0.56	0.49	0.44	0.51	0.48	0.44	0.52	0.47	0.43	0.41	0.41	0.41	0.41	0.41	0.41	0.41
6	0.65	0.53	0.45	0.45	0.63	0.52	0.45	0.39	0.51	0.44	0.39	0.49	0.43	0.39	0.48	0.42	0.38	0.36	0.36	0.36	0.36	0.36	0.36	0.36
7	0.60	0.48	0.40	0.40	0.59	0.48	0.40	0.35	0.46	0.39	0.35	0.45	0.39	0.34	0.44	0.38	0.34	0.32	0.32	0.32	0.32	0.32	0.32	0.32
8	0.56	0.44	0.37	0.37	0.55	0.44	0.36	0.31	0.42	0.36	0.31	0.41	0.35	0.31	0.40	0.35	0.31	0.29	0.29	0.29	0.29	0.29	0.29	0.29
9	0.53	0.41	0.33	0.33	0.57	0.40	0.33	0.28	0.39	0.33	0.28	0.38	0.32	0.28	0.37	0.32	0.28	0.26	0.26	0.26	0.26	0.26	0.26	0.26
10	0.49	0.38	0.31	0.31	0.48	0.37	0.30	0.26	0.36	0.30	0.26	0.35	0.30	0.26	0.35	0.29	0.25	0.24	0.24	0.24	0.24	0.24	0.24	0.24

Photometric Report

48" Aisle Lighter, 2x54 watt EcoVations Aisle Lighter Luminaire with 2x54w lamp, lumen rating 4450 LMS, and one Sylvania QTP2X54T5H0 electronic ballast operating AT 120 VAC and 114.3 watts

Photometric Report

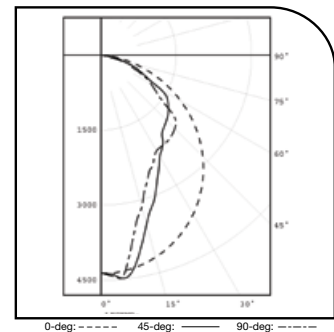
Efficiency (total) 99.4
 Spacing Criterion (0-Deg) 1.3
 Spacing Criterion (90-Deg) 0.7

Average Luminance (Candelas / Square Meter)

Angle	0	45.0	90
45	13381	8603	9691
55	12660	9353	7961
65	11413	7439	6854
75	9114	5558	3735
85	3558	416	0

Zonal Lumen Summary

Zone	Lumens	Lamp %	Fixture %
0-30	2777	31.2	31.4
0-40	4286	48.2	48.4
0-60	7287	81.9	82.3
0-90	8846	99.4	100.0
90-180	4	0.0	0.0
0-180	8850	99.4	100.0



Coefficient of Utilization Table Effective Floor Cavity Reflectance = 20%

Pcc... Pw... RCR	80				70				50				30				10				0			
	70	50	30	10	70	50	30	10	50	30	10	50	30	10	50	30	10	10	50	30	10	0	0	0
0	1.18	1.18	1.18	1.18	1.16	1.16	1.16	1.16	1.10	1.10	1.10	1.06	1.06	1.06	1.01	1.01	1.01	1.01	1.01	1.01	1.01	1.01	1.01	1.01
1	1.09	1.05	1.01	0.97	1.06	1.02	0.99	0.96	0.98	0.95	0.93	0.94	0.92	0.90	0.91	0.89	0.87	0.85	0.85	0.85	0.85	0.85	0.85	0.85
2	1.00	0.92	0.85	0.80	0.97	0.90	0.84	0.79	0.87	0.82	0.77	0.83	0.79	0.76	0.80	0.77	0.74	0.72	0.72	0.72	0.72	0.72	0.72	0.72
3	0.91	0.81	0.73	0.67	0.89	0.80	0.72	0.67	0.77	0.71	0.65	0.74	0.69	0.64	0.71	0.67	0.63	0.61	0.61	0.61	0.61	0.61	0.61	0.61
4	0.84	0.72	0.64	0.57	0.81	0.71	0.63	0.57	0.68	0.62	0.56	0.66	0.60	0.56	0.64	0.59	0.55	0.53	0.53	0.53	0.53	0.53	0.53	0.53
5	0.77	0.65	0.56	0.50	0.75	0.64	0.56	0.50	0.62	0.55	0.49	0.60	0.53	0.49	0.58	0.52	0.48	0.46	0.46	0.46	0.46	0.46	0.46	0.46
6	0.72	0.59	0.50	0.44	0.70	0.58	0.50	0.44	0.56	0.49	0.43	0.54	0.48	0.43	0.53	0.47	0.43	0.41	0.41	0.41	0.41	0.41	0.41	0.41
7	0.66	0.53	0.45	0.39	0.65	0.53	0.45	0.39	0.51	0.44	0.39	0.50	0.43	0.38	0.48	0.43	0.38	0.36	0.36	0.36	0.36	0.36	0.36	0.36
8	0.62	0.49	0.41	0.35	0.61	0.48	0.40	0.35	0.47	0.40	0.35	0.46	0.39	0.35	0.45	0.39	0.34	0.33	0.33	0.33	0.33	0.33	0.33	0.33
9	0.58	0.45	0.37	0.32	0.57	0.45	0.37	0.32	0.43	0.36	0.32	0.42	0.36	0.31	0.41	0.36	0.31	0.29	0.29	0.29	0.29	0.29	0.29	0.29
10	0.55	0.42	0.34	0.29	0.53	0.41	0.34	0.29	0.40	0.34	0.29	0.39	0.33	0.29	0.39	0.33	0.29	0.27	0.27	0.27	0.27	0.27	0.27	0.27