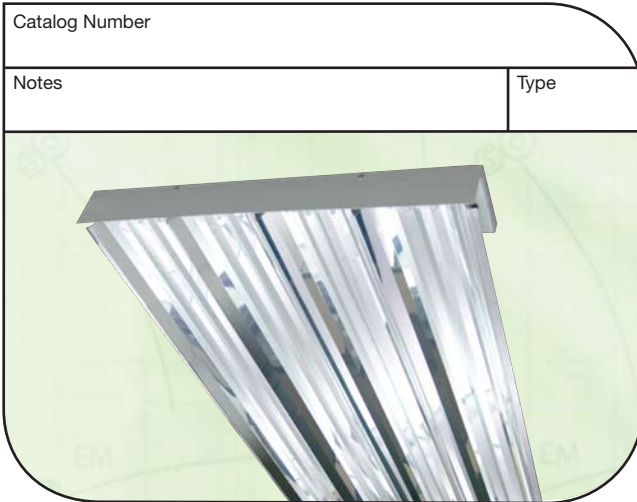




Green Hi-Bay T8/T5



Green Hi-Bay T5 and T8 Series

<p>Maintenance No tools required for lamp and ballast access.</p> <p>Installation Suspension by chain, cable, hook or monopoint with appropriate accessories.</p>	<p>Warranty One year warranty against defect in manufacturing. See warranty page for extension options.</p> <p>Listing UL/cUL Listed - Suitable for damp locations.</p>
---	---

Application

The Green Hi-Bay's superior lumen package is ideal for replacing traditional metal halide high bay systems. Benefits include high efficiency, 95% lumen maintenance, improved color rendering, extended lamp life, multi-level switching, instant on, dimming and improved uniformity. Suggested mounting heights from 15' – 40' with primary applications including warehousing, commercial facilities, manufacturing facilities, open and stack aisle applications.

Description

The fixture was designed for optimum performance utilizing either T5 or T8 lamps. The Green Hi-Bay's heavy duty 20 gauge housing exceeds code gauge steel and all components are post painted with a glossy, high reflectance white. Sockets include secure positioning rotating collars.

Reflector Optics

The superior beam spread optic covers from narrow aisle lighting to open area general lighting. The Green Hi-Bay is available using a 95% reflectance specular aluminum (SA) Miro®4 or a 92% reflectance white aluminum (WA) reflector, which have a 25 year warranty. The reflector options include upright or non-upright, depending on the application.

Electrical

All ballasts are class P rated and UL/cUL listed. Our ballasts are also thermally protected, sound rated, and tightly secured by mounting bolts as well as NEMA Premium and CEE certified.

Finish

The baked white enamel finish is electrostatically applied and post-painted with a glossy, highly reflective and durable paint.

Catalog Ordering Matrix

Family	Reflector Distribution	Lamp Quantity	Lamp Type	Voltage	Ballast Factor	Ballast Options	Options
GH4 - 4' Green Hi-Bay	SA - Narrow Distribution	4	28 - (T8 28W)	UNI - (120-277)	H - (T8 High)	PRS - (Program Rapid Start)	(See Below)
	WA - Wide Distribution	6	32 - (T8 32W)	347*	N - (T8 Normal)	DIM - (Dimming)	
	Upright	8	54 - (T5HO 54W)	480*	L - (T8 Low)	CS - (Cold Start)	
Add "U" for upright							

* Not available for 8 lamp T8

OPTIONS (Add to catalog number in order shown)

1 Power Cords

- 6C - 6' PCord 300V 16/3 SJTOOW NO PLUG
- 6C4 - 6' PCord 300V 18/4 SJTOW NO PLUG
- 6W - 6' WHIP PCord 600V 16/3 NO PLUG
- 2P - 8' PCord 125V 15A 16/3 SJTOOW NEMA 5-15P
- 3P - 8' PCord 125V 15A 16/3 SJTOW NEMA L5-15P
- 4T - 10' PCord 125V 20A 16/3 SJTOW NEMA L5-20P
- 8T - 8' PCord 480V 20A 16/3 SEOW NEMA L8-20P
- 9T - 8' PCord 250V 20A 16/3 SJTOW NEMA L6-20P
- 10T - 10' PCord 277V 15A 14/3 SJTOW NEMA L7-15P
- 10T2 - 10' PCord 277V 20A 14/3 SJTOW NEMA L7-20P
- 10C - 10' PCord 277V 15A 14/3 SJTOOW NO PLUG
- 10C6 - 10' PCord 600V 15A 16/3 STOW NO PLUG
- 20C - 20' PCord 277V 20A 16/3 SJTOOW NO PLUG
- 20C4 - 20' PCord 300V 18/4 SJTOW NO PLUG

AVAILABLE HANGING KITS (ordered seperately)

- TCPYHOOK10FT - Y-Hook 10 foot hanging kit
- TCPYHOOK20FT - Y-Hook 20 foot hanging kit

† If a desired lamp and/or ballast is needed in an EcoVations linear fluorescent fixture, please provide a spec sheet when consulting with your local sales rep. The sales rep will provide a price to use the desired lamp and/or ballast.

2 Occupancy Sensors

- TS1 - TCP Occupancy Sensor w/bracket and interchangeable lenses, 40' or less, 120V, 277V, or 347V.
- TS1C - TCP Cold Storage Occupancy Sensor w/bracket and interchangeable lenses, 40' or less, 120V, 277V, or 347V
- TS4 - TCP Occupancy Sensor w/bracket and interchangeable lenses, 40' or less, 480V
- TS4C - TCP Cold Storage Occupancy Sensor w/bracket and interchangeable lenses, 40' or less, 480V

Use a program rapid start ballast with occupancy sensor. EcoVations is not responsible for lamps failing prematurely due to an occupancy sensor being used with an instant start ballast.

3 Wire Guard

- WG - Wire Guard

No Emergency Ballast Available

4 Lamps Installed in Job Pack

- 830 - T5 and T8 Lamps
- 835 - T5 and T8 Lamps
- 841 - T5 and T8 Lamps
- 850 - T5 and T8 Lamps
- 865 - T5 Lamps Only
- 830HL - T8 Lamps Only
- 835HL - T8 Lamps Only
- 841HL - T8 Lamps Only
- 850HL - T8 Lamps Only

5 Special Mounting

- HCB - Hub Connector Box - 3/4" Threaded Hub Mount

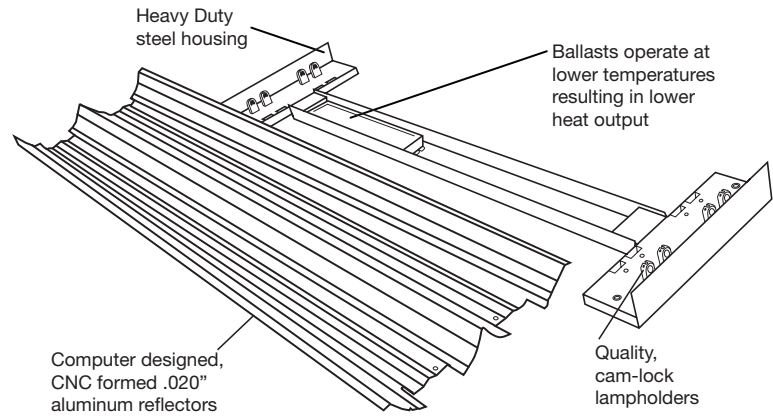
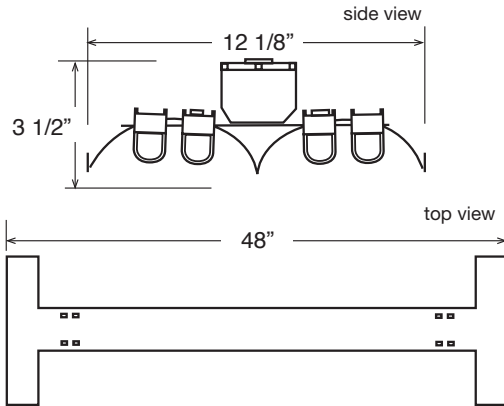
6 Special Packaging

- SP - Single Packed (not available with lamps installed)

AVAILABLE ACCESSORIES (ordered seperately)

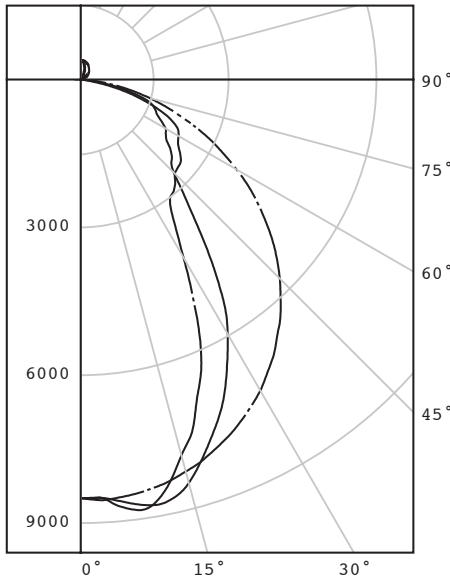
- GH4LAMPWGKIT - Wire Guard kit complete with Wire Guard and hardware for 4 lamp Green Hi-Bay
- GH6LAMPWGKIT - Wire Guard kit complete with Wire Guard and hardware for 6 lamp Green Hi-Bay
- GH8LAMPWGKIT - Wire Guard kit complete with Wire Guard and hardware for 8 lamp Green Hi-Bay

Dimensions & Construction



Photometric Report

1 x 4 Green Hi-Bay, 4-54W, 95% Specular Reflector, with Uplight EcoVations Green Hi-Bay Luminaire with Enhanced Aluminum reflector, 4-54W lamps with lumen rating of 5000 lumens and two electronic ballasts operating at 120 VAC and 229 watts.



Candela Distribution

	0.0	22.5	45.0	67.5	90.0
0.0	8495	8495	8495	8495	8495
5.0	8520	8524	8477	8077	7896
15.0	8235	8558	8477	8077	7896
25.0	7665	7962	6930	6119	5703
35.0	6827	6561	4745	3467	3186
45.0	5711	4841	2674	2717	2701
55.0	4387	2775	2120	2390	2432
65.0	2917	1428	1720	2047	2086
75.0	1439	920	1154	1020	931
85.0	223	235	50	8	0
90.0	0	0	0	0	0

Zonal Lumen Summary

Zone	Lumens	% Lamp	% Fixt.
0-30	6326	35.5	34.5
0-40	9430	53.0	51.4
0-60	14648	82.3	79.8
0-90	17831	100.2	97.1
90-120	111	0.6	0.6
90-150	306	1.7	1.7
90-180	531	3.0	2.9
0-180	13254	103.2	100.0

Total Luminaire Efficiency = 103.2%

Luminance Data in Candela/ Square Meter

	0.0	45.0	90.0
45.0	22374	10476	10581
55.0	21188	10239	11746
65.0	19120	11274	13673
75.0	15402	12351	9965
85.0	7088	1589	0

Photometric Report

Efficiency (total)	1.03
Spacing Criterion (0-Deg)	1.3
Spacing Criterion (90-Deg)	0.9

Photometric Data by
Independent Testing Lab.
ITL Boulder.