



## Festival LED Wide Flood Light

Catalog Number TCPFESTIVALWF

Notes

Type



### Festival LED Wide Flood Light

#### Installation

Surface mounted w/supplied bracket. Before installation, please consult your local ordinances and building codes for compliance.

#### Warranty

Five years against defects in manufacturing.

#### Listing

Driver is UL listed (UL Wet Location pending)



Front View



Side View

### Application

TCP's Festival LED Wide Flood Light is designed for applications that require a wide beam flood light with a high lumen output. Applications include over-head highway sign lighting, billboard lighting, building facades, and other similar applications.

### Description

This LED luminaire was designed for optimum performance and is a more efficient alternative to incandescent, metal halide and linear lamp luminaires. The Festival LED Wide Flood Light features a 120 degree beam angle, is easy to install, and has a long life, making it perfect for hard to reach areas.

### Construction

The Festival LED Wide Flood Light uses 30 High-Power LumiLED Rebel LEDs. It is constructed from die cast aluminum, which is powder coated in a durable brown finish. It is 13.18" long, 10.4" wide, 5" deep, and weighs 8.6 pounds. It has an IP65 weather rating.

### Electrical

The driver is UL listed, has a power factor of 0.99, and an input voltage of 120-277 VAC (50/60 Hz). The Luminaire is rated at 45 watts, with a THD of less than 10%. Electrical protections include OVP, OCP, SCP, and OTP.

### Performance

LED Life: 50,000 hrs

CCT: White 5500°K (Other color temperatures available upon request)

CRI: 71

Total Lumen Output: 2431 (LM-63-02 Test Procedure)

Lumens Per Watt: 56

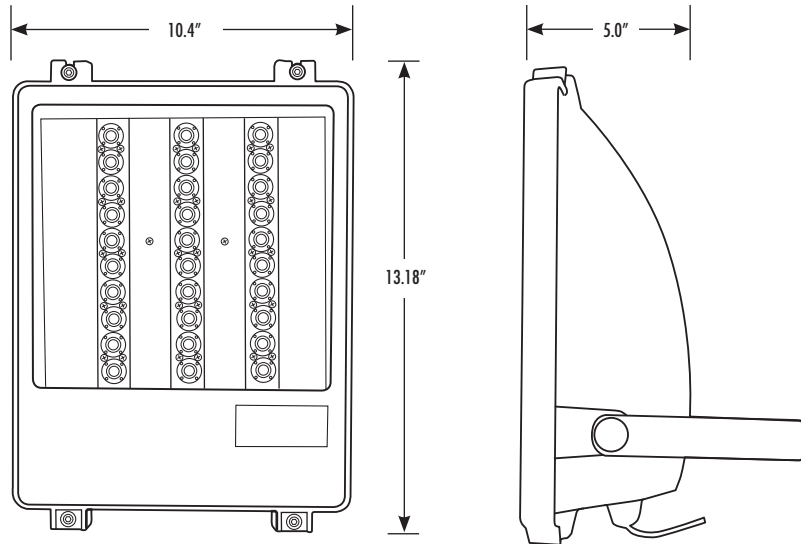
Beam Angle: 120°

Operating Temperature: -20°F ~ 140°F

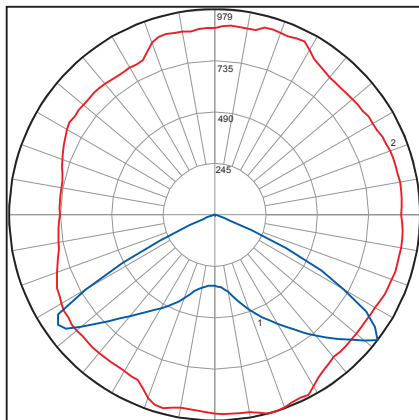


# Festival LED Wide Flood Light

## Dimensions & Construction



## Photometric Report



Maximum Candela = 979.45 Located At Horizontal Angle = 285, Vertical Angle = 52.5  
 # 1 - Vertical Plane Through Horizontal Angles (285 - 105) (Through Max. Cd.)  
 # 2 - Horizontal Cone Through Vertical Angle (52.5) (Through Max. Cd.)

### Candela Distribution

Effective Floor Cavity Reflectance 0.20

RC	80				70				50			30			10			0
RW	70	50	30	10	70	50	30	10	50	30	10	50	30	10	50	30	10	0
0	119	119	119	119	116	116	116	116	111	111	111	106	106	106	102	102	102	100
1	109	105	101	97	107	103	99	96	98	95	93	94	92	90	91	89	87	85
2	99	91	84	78	96	89	82	77	85	80	75	82	77	74	79	75	72	70
3	89	78	70	63	87	77	69	62	74	67	61	71	65	60	68	63	59	57
4	80	68	59	51	78	66	58	51	64	56	50	61	55	50	59	54	49	47
5	73	59	50	42	71	58	49	42	56	48	42	54	47	41	52	46	41	39
6	66	52	42	36	64	51	42	35	49	41	35	47	40	35	46	39	34	32
7	61	46	37	30	59	45	36	30	44	36	30	42	35	29	41	34	29	27
8	56	41	32	26	54	41	32	26	39	31	26	38	31	25	37	30	25	23
9	52	37	28	22	50	37	28	22	35	28	22	34	27	22	33	27	22	20
10	48	34	25	20	47	33	25	20	32	25	19	31	24	19	30	24	19	17

### Zonal Lumen Summary

Zone	Lumens	% Fixt.
0-30	377	16
0-40	751	31
0-60	2058	85
0-90	2431	100
90-120	0	0
90-130	0	0
90-150	0	0
90-180	0	0
0-180	2431	100

Total Luminaire Efficiency = N.A.%

### Luminance Data in Candela/Square Meter

Angle	0.0	45.0	90.0
45°	69409	68963	66863
55°	95816	93520	107396
65°	39141	37381	38026
75°	8053	5567	5645
85°	2831	2749	1907

### Photometric Report

Total Input Watts (120V)	43.5
Luminaire Efficacy Rating (LER)	56%
Spacing Criterion (0-180)	2.80
Spacing Criterion (90-270)	2.90