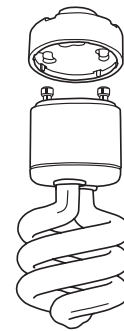
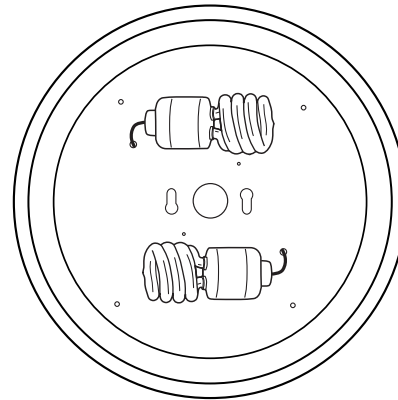


GU24 – 118 Series Ceiling Fixture Specifications

Indoor Collection - Flush Mount Ceiling Fixture

GU24 SpringLamps (lamps included) GU24 Base, NPF Compact Fluorescent, 10,000 Hours Lamp Life, Power Factor >.50

Item Number	Description	Lamp Quantity	System Wattage	Incandescent Wattage Comparison	Initial Lumens	Lens Cover	Over-All Finish	Replacement Lamp
11826BSGU ★	14" Brushed Steel Step Base w/ Plastic Dome Cover	2	26	2 x 60	1800	White	Brushed Steel	33113SP
11836BSGU ★	14" Brushed Steel Step Base w/ Plastic Dome Cover	2	36	2 x 75	2400	White	Brushed Steel	33118SP
11826PBGU ★	14" Polished Brass Step Base w/ Plastic Dome Cover	2	26	2 x 60	1800	White	Polished Brass	33113SP
11836PBGU ★	14" Polished Brass Step Base w/ Plastic Dome Cover	2	36	2 x 75	2400	White	Polished Brass	33118SP
11826WHGU ★	14" White Step Base w/ Plastic Dome Cover	2	26	2 x 60	1800	White	White	33113SP
11836WHGU ★	14" White Step Base w/ Plastic Dome Cover	2	36	2 x 75	2400	White	White	33118SP



GU24 Lamp

★ = Energy Star

Specifications (at full brightness)

End of Life Protection.....	Yes
Ballast Type	Electronic
Starting Method	Modified Rapid Start
Input Line Voltage	120VAC
Input line frequency	50/60HZ
Lamp Life (rated)	10,000 Hours
Color Temperature	2700K
Color Rendering Index	82
Minimum Starting Temperature	-20 ° F
Maximum Operating Temperature.....	160 ° F
U.L. / C.U.L. Listed	Yes
FCC Compliance	Part 18, Subpart C
Lamp Operating Frequency	53 KHZ
Lamp Current Crest Factor.....	< 1.60
Maximum Open Circuit Voltage	600V
Power Factor	>.50
Total Harmonic Distortion	< 150%

Applications

- Use anywhere a standard incandescent fixture is used
- Use in bedrooms, hallways, kitchens, living areas, bathrooms and rec rooms

Features and Benefits

- Long Life, 10,000 hour average rated bulb life
- Bulb lasts 9 years based on 3 hours of use per day
- Bulb lasts 10 times longer than a similar incandescent bulb
- Accepts GU-24 style Springlamps
- Sculptured plastic base with attractive white plastic cover
- Quick run-up time
- Instant start, flicker free
- World class phosphor insures high lumen output and excellent lumen maintenance



ISO 9002
CERTIFIED

2 YEAR
WARRANTY